



# MINI-TEX

## CATENACCIO A LEVA PER FINESTRE



Catenaccio a leva | Lever bolt | Verrou a levier | Pasador de leva



Supporto, blocchetto di collegamento, leva di manovra in zama, molle in acciaio inox, terminale e piastrina di giunzione in nylon, perno in ottone.



Support, connecting block, control lever in zamak and springs in stainless steel, nylon connecting plate and terminal, brass pin.



Support, bloc de raccordement, levier de manoeuvre en zamak, ressorts en acier inox, embout de tringle et plaque de raccordement en nylon, pivot en laiton.

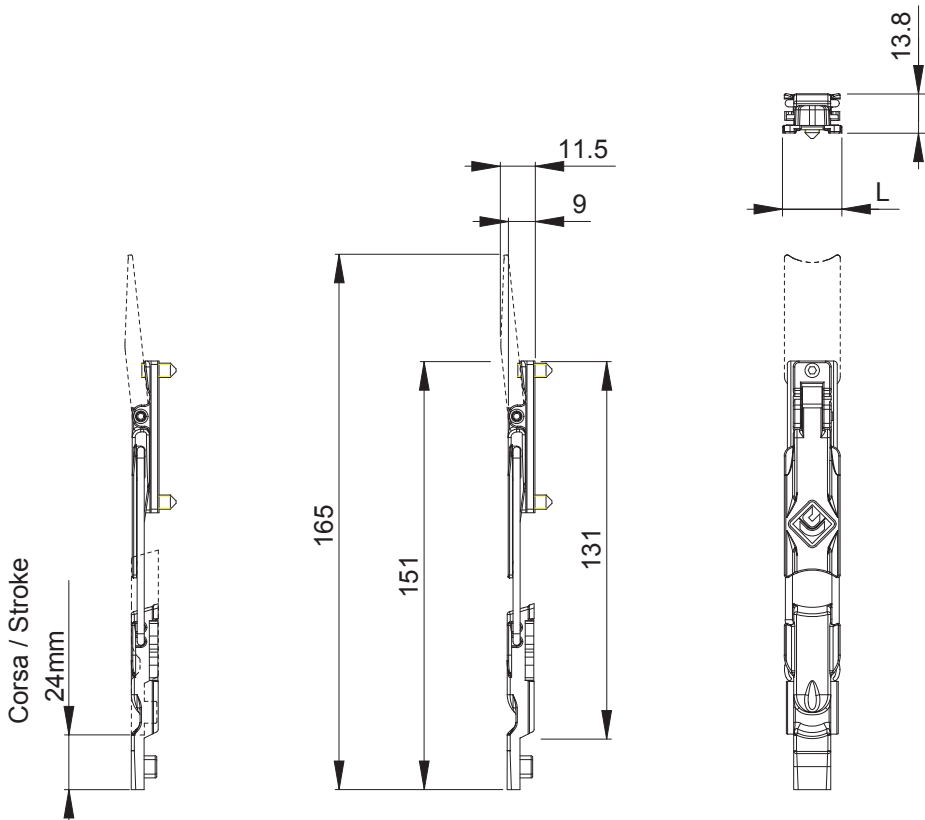
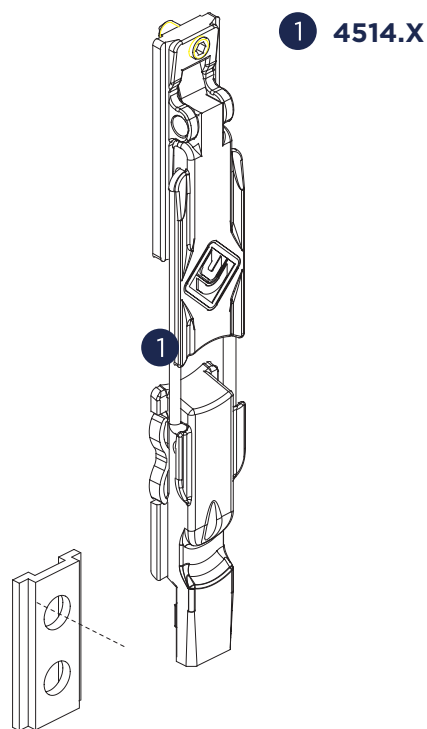


Soporte, bloque de unión, leva de maniobra de zamak, muelles de acero inox, terminal y pletina de unión de nylon, pernio de latón.



ART.	4514.1   4514.2   4514.3   4514.4   4514.5   4514.6   4514.8	4032B.20   4033B.20   4032B.21   4032B.22   4034B.21   4034B.22	4520	4523
Imballo   Package   Conditionnement   Embalaje	20 Cp	200 Pz	100 Pz	50 Cp
Finiture disponibili   Available finishes Finitions disponibles   Acabados disponibles	1 2 3 4	1 2 3 4	1 2 3 4	1 2 3 4

4514.3X   4514.2X	4514.20
20 Pz	10 Cp
1 2 3 4	1 2 3 4

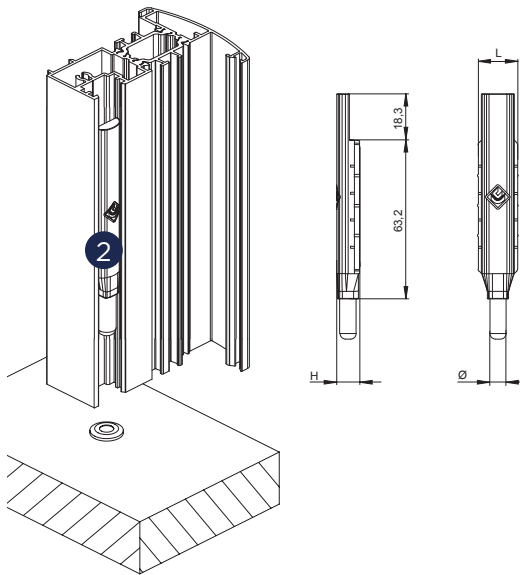


ART.	L	NODO   SECTION
4514.1	17.6	B04
4514.2	17.6	B01 - B08 - B11
4514.3	16.3	B03

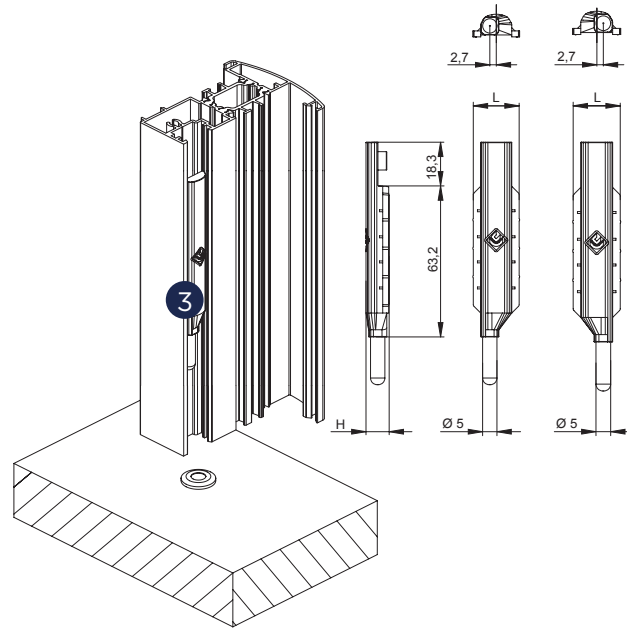
ART.	L	NODO   SECTION
4514.4	17.6	B04
4514.5	17.6	B01 - B08 - B11
4514.6	16.3	B03

ART.	L	NODO   SECTION
4514.8	18.3	B06 - B07 - B08 - B11

2 403XB.20



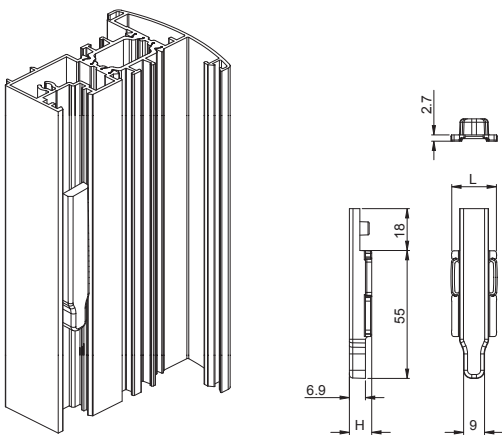
3 403XB.2X



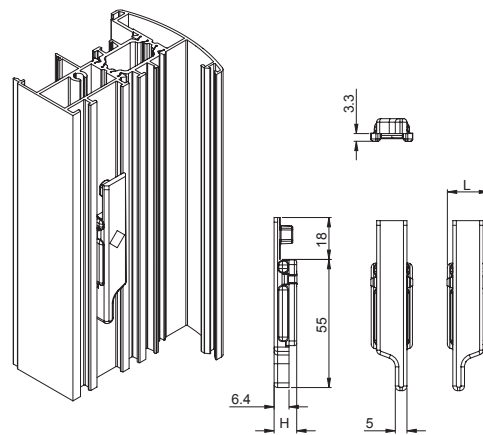
DESCRIZIONE DESCRIPTION	ART.	L	H	Ø	NODO SECTION
"NEW SIRIO" Terminale asta con puntale in ottone	4032B.20	19.2	9.5	8	B01 - B07 - B08 B10
"NEW SIRIO" Rod-end with brass pin	4033B.20	15.7	9.2	8	B03

DESCRIZIONE DESCRIPTION	ART.	L	H	Ø	NODO SECTION
"NEW SIRIO" Terminale asta con puntale in ottone - Dx	4032B.21	19.2	9.5	6	B01 - B07 - B08 B10
"NEW SIRIO" Rod-end with brass pin - Rx	4034B.21	17.2	10.2	7	B04 - B10
"NEW SIRIO" Terminale asta con puntale in ottone - Sx	4032B.22	19.2	9.5	6	B01 - B07 - B08 B10
"NEW SIRIO" Rod-end with brass pin - Lx	4034B.22	17.2	10.2	7	B04 - B10

4 452X



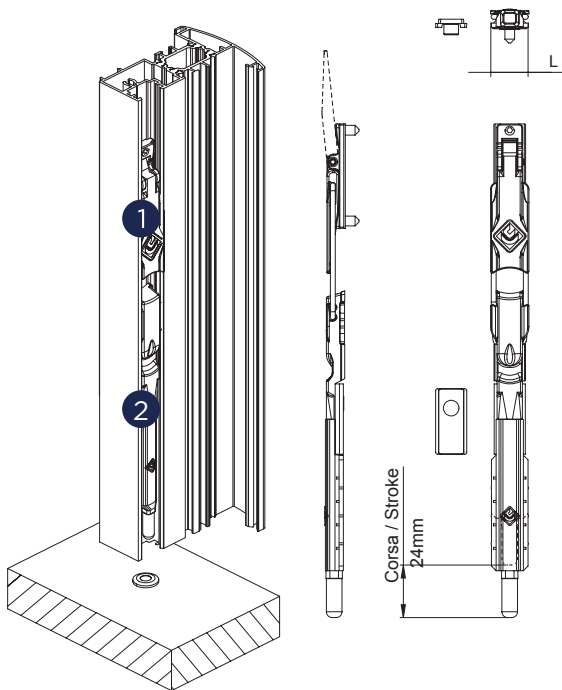
5 4523



ART.	L	NODO   SECTION
4520	20	A01 - A02 - A05 - A06 - A11 - A12 - A20 - A21 - A22 - B08 - B11

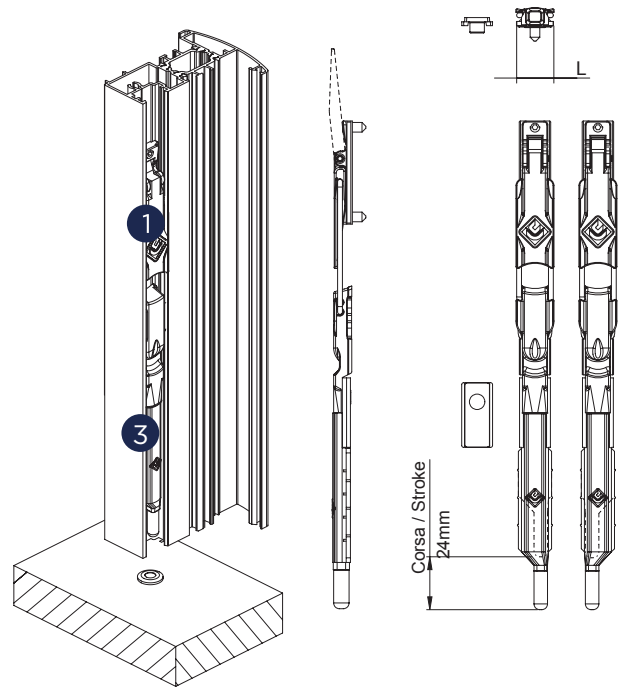
ART.	L	NODO   SECTION
4523	17.7	A08 - A023 - B04

1 + 2 4514.30 | .32



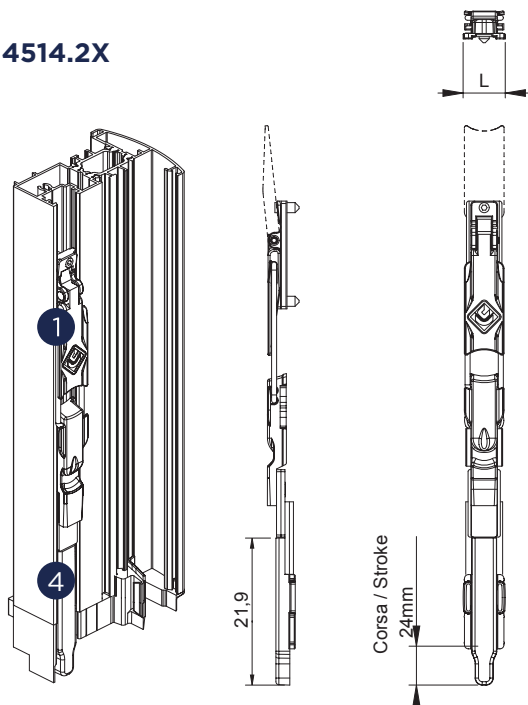
ART.	L	NODO   SECTION
4514.30	15,9	B03
4514.32	17,6	B01 - B08 - B11

1 + 3 A4014.31 | .33 | .34



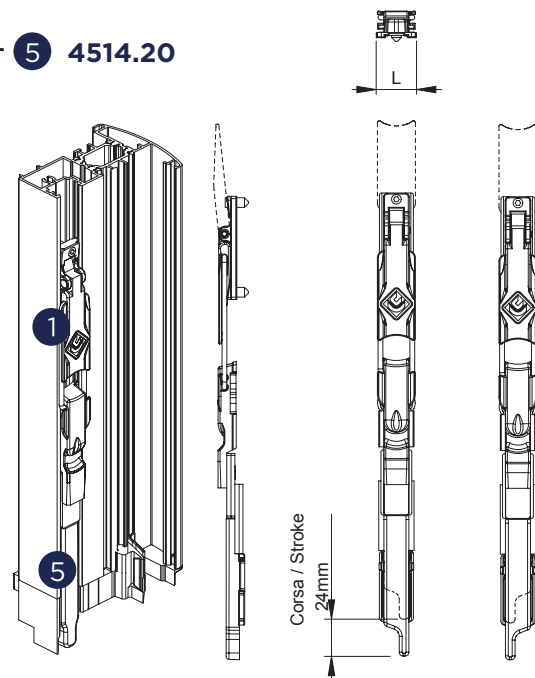
ART.	L	NODO   SECTION
4514.31	18,2	B04
4514.33	19,2	B01 - B08 - B11
4514.34	19,2	B01 - B08 - B11

1 + 4 4514.2X



ART.	L	NODO   SECTION
4514.21	19	B01
4514.22	16,7	B03
4514.23	19,2	B01
4514.24	18,4	B01
4514.25	20	B08 - B11

1 + 5 4514.20



ART.	L	NODO   SECTION
4514.20	17,7	B04