



## CATENACCIO A LEVA AD APPOGGIO

Catenaccio a leva | Lever bolt  
Verrou a levier | Pasador de leva



Catenacci in zama;  
viti TSP CR 3.5X25  
autoforanti.



Zamak latches; TSP  
CR 3.5X25 self-  
drilling screws.



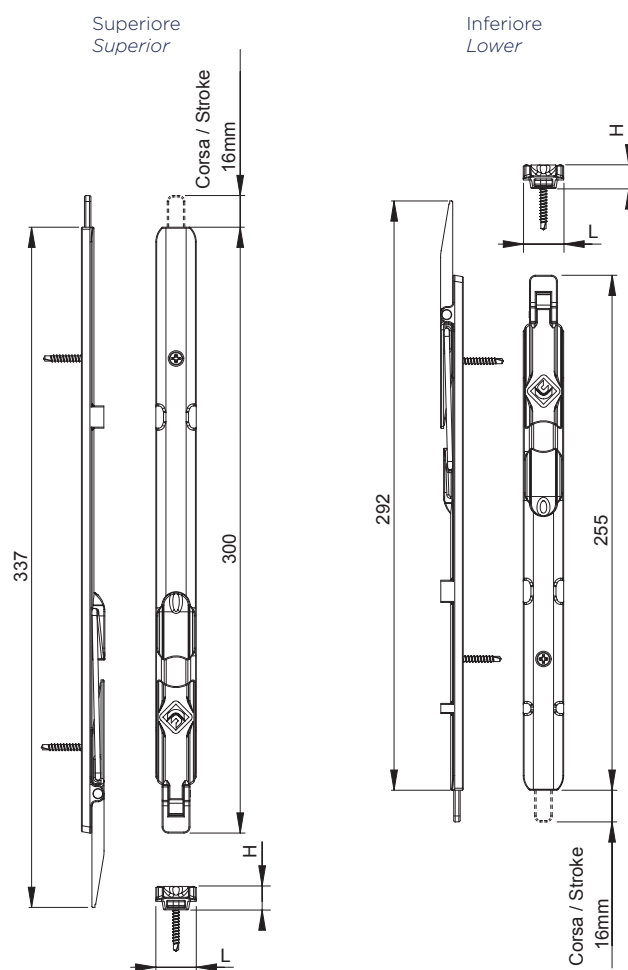
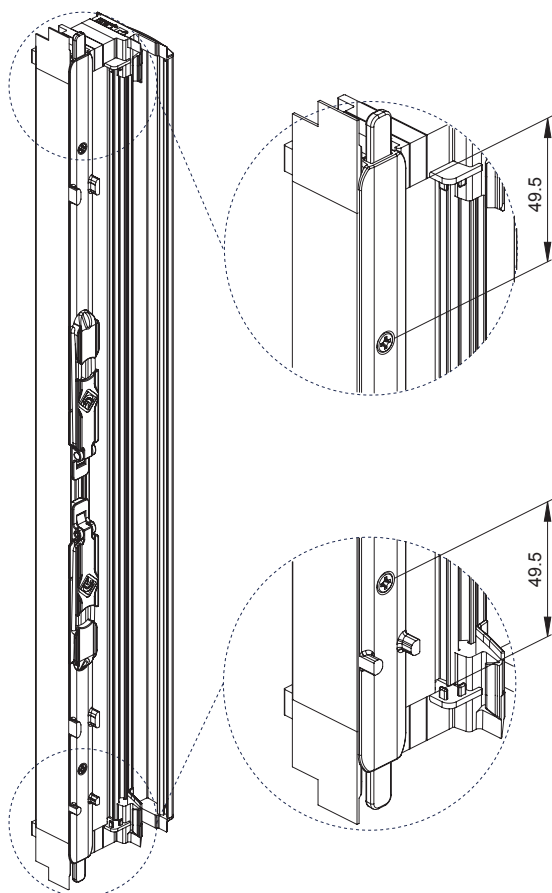
Verrous en zamak  
vis TSP CR 3.5X25  
autoforeuses.



Pasadores de  
zamac tornillos  
TSP CR 3.5X25  
autoperforantes.



ART.	3520.34			
Imballo   Package   Conditionnement   Embalaje	5 Cp			
Finiture disponibili   Available finishes Finitions disponibles   Acabados disponibles	1	2	3	4



ART.	L	H	NODO   SECTION
3520.34	20	11,5	B01 - B02 - B03 - B07 - B08

