



SUPPORTO A PINZA PER VETRO



Supporto a pinza per vetro | Glass support clip
Support a pince pour verre | Pinza para junquillo



Supporto in alluminio estruso; tassello in nylon; viti M5 TS CR in acciaio zincato; vite 3,9X19 TCCR autofilettante in acciaio inox; guarnizioni in dutral.



Support in extruded aluminum; nylon block; M5 TS CR screws in stainless steel; 3,9X19 TCCR self-tapping screw in stainless steel; Dutral gaskets.



Support en aluminium extrudé; tasseau en nylon; vis M5 TS CR en acier zingué; vis 3,9X19 TCCR autotaraudeuse en acier inox; jonctions en dutral.



Soporte de aluminio extruido; junquillo de nylon; tornillos M5 TS CR de acero galvanizado; tornillo 3,9X19 TCCR autorroscante de acero inox; uniones de dutral.

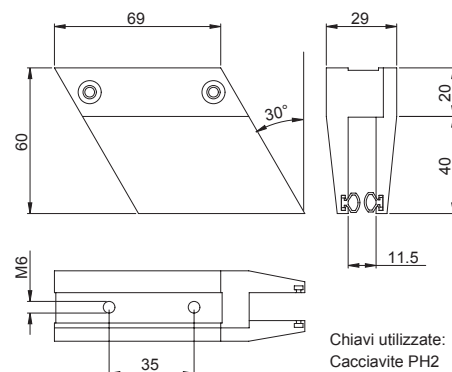
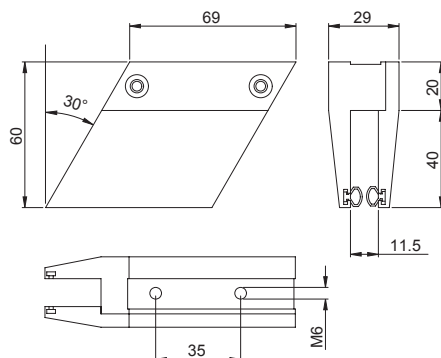
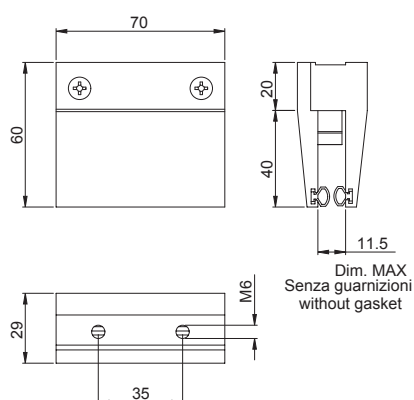


ART.	2201 2202.1 2202.2			
Imballo Package Conditionnement Embalaje	50 PZ			
Finiture disponibili Available finishes Finitions disponibles Acabados disponibles	1	2	3	4

Art. 2201

Art. 2202.1

Art. 2202.2



DESCRIZIONE DESCRIPTION	ART.
Balconi Balcony	2201
Ringhiera (inclinata di 30° DX) Rail (inclinate to 30° RX)	2202.1
Ringhiera (inclinata di 30° SX) Rail (inclinate to 30° LX)	2202.2

