



EASY RAPID

CERNIERE A COMPASSO PER INFISSI A SPORGERE, BATTENTE E VASISTAS USO DOMESTICO



Cerniere a compasso | Stay hinges
 Compas | Compases



Cerniere a compasso in acciaio inox amagnetico, con blocchetti di frizionamento in ottone e blocchetti terminale in nylon.



Stay hinges in non-magnetic stainless steel, with brass friction blocks and nylon terminal blocks.



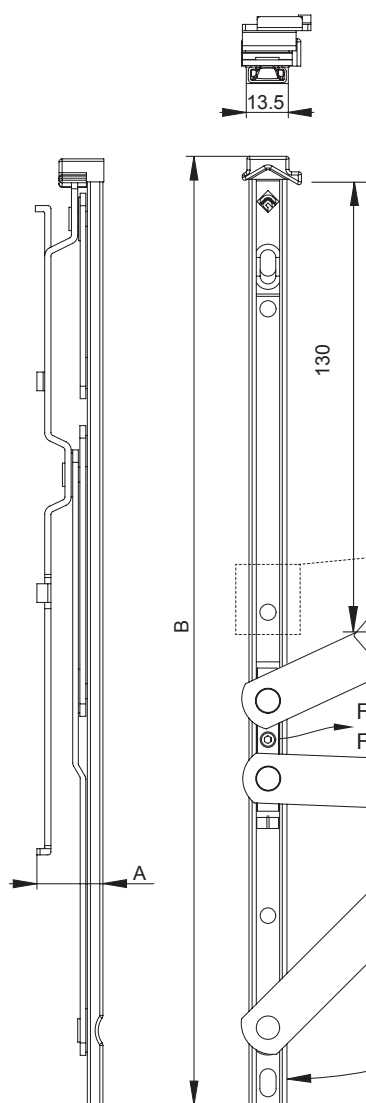
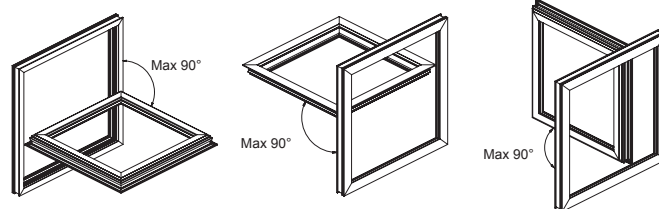
Compas en acier inox amagnétique, avec blocs de friction en laiton et blocs embout de tringle en nylon.



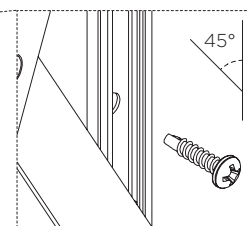
Compases de acero inox no magnético, con bloques de fricción de latón y bloques terminal de nylon.



ART.	1231.12 1232.12			
Imballo Package Conditionnement Embalaje	15 Cp			
Finiture disponibili Available finishes Finitions disponibles Acabados disponibles	1	2	3	4

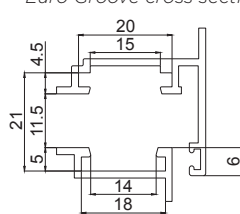


ART.	DIMENSIONI DIMENSION		ALTEZZA ANTA SASH HEIGHT	LARGHEZZA ANTA SASH WIDTH	TIPO DI APERTURA OPENING	ANGOLI DI APERTURA OPENING ANGLE		PORTATA MAX LOAD
	A	B	Min Max	Min Max		Opening Angle	Opening Limitation	
1231.12	19,5	313	340 1800	340 450	Battente Side Hung	α 0-45°	vite screw	20
			340 450	340 1200	Sporgere Top Hung	α 0-45°	vite screw	20
			340 450	340 1200	Vasistas Bottom Hung	α 0-45°	vite screw	30
1232.12	21,5	378	340 1200	340 450	Battente Side Hung	α 0-45°	vite screw	20
			340 450	340 1200	Sporgere Top Hung	α 0-45°	vite screw	20
			340 450	340 1200	Vasistas Bottom Hung	α 0-45°	vite screw	30



Limitatore a 45°
45° limiter

Art. 1231.12
Nodo Camera Europea
Euro Groove cross section



Art. 1232.12
Nodo ERRE 40
ERRE 40 cross section

