



EASY RING

CRICCHETTO REGOLABILE AD AGGANCIAMENTO INTERNO

Cricchetto regolabile ad aggancio interno | Adjustable catch with internal fixing | Cliquet réglable à accrochage rapide intérieur | Golpete regulable con enganche interior



Corpo in alluminio estruso, base di appoggio in zama, slitta in nylon, grani in acciaio inox



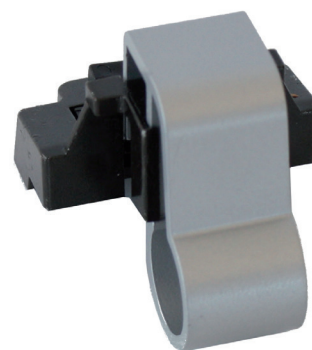
Aluminum extruded body, Zamak support base, Nylon slider, stainless steel setscrews



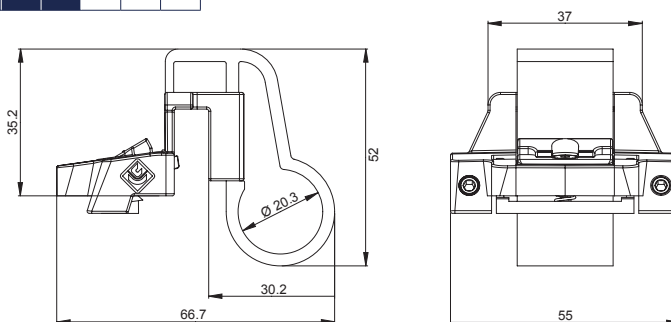
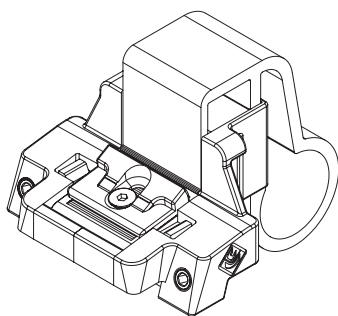
Corps en aluminium extrudé, base de soutien en zamak, glissière en nylon, grains en acier inox



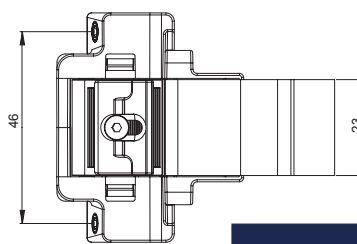
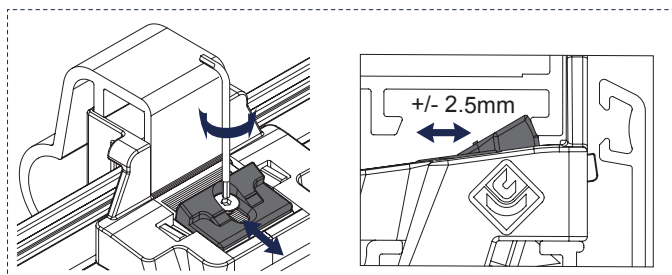
Cuerpo de aluminio extruido, base de apoyo de zamak, resbalón en nylon prisioneros de acero inox



ART.	1504.1 1504.2			1504.20			2391.1		
Imballo Package Conditionnement Embalaje	20 PZ			5 PZ			20 PZ		
Finiture disponibili Available finishes Finitions disponibles Acabados disponibles	1	2		1	2		2	3	4



REGOLAZIONI / ADJUSTEMENT



DESCRIZIONE DESCRIPTION	ART.	NODO SECTION
Cricchetto ad aggancio interno regolabile Adjustable catch with internal fixing	1504.1	A08
	1504.2	A01 - A05

MONTAGGIO TANDEM / DUO MOUNTING

