



EMPIRE

RISCONTRI



Riscontri | Counterplate | Gâches | Cerraderos



Corpo in zama;
 spessori in nylon, viti
 autofilettanti TCCR
 Ø3.5x13 in acciaio
 zincato.



Body in zamak; nylon
 thicknesses, screws
 galvanized steel
 TCCR Ø3.5x13.



Corps en zamak;
 épaisseurs en nylon,
 acier galvanisé vis
 TCCR Ø3.5x13.

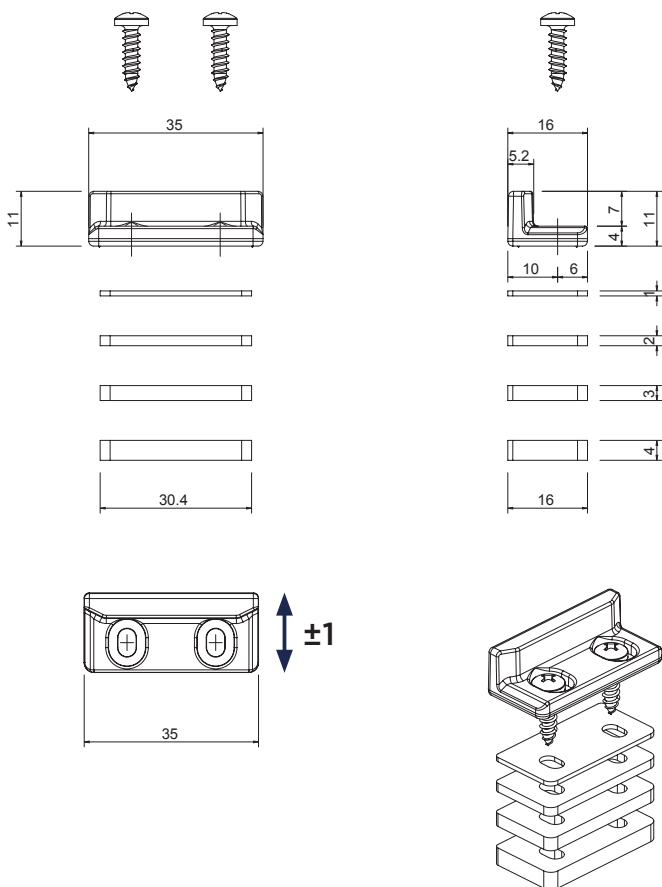


Cuerpo de zamak;
 espesore de nylon,
 acero galvanizado
 tornillos TCCR
 Ø3.5x13.

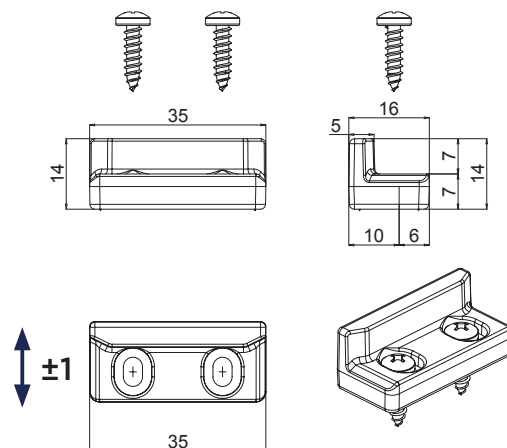


ART.	1252.18 1252.19			
Imballo Package Conditionnement Embalaje	100 Pz			
Finiture disponibili Available finishes Finitions disponibles Acabados disponibles	1	2	3	4

Art. 1252.18



Art. 1252.19



LAVORAZIONI MACHINING

