



KARMA

MARTELLINA APPLICAZIONE UNIVERSALE



Martellina minimal design applicazione universale | Minimal design handle universal fitting | Bequille a poignee design minimaliste application universelle | Maneta de diseño minimal aplicación universal



Manico in alluminio pressofuso, rotore in zama, cassa in derlin, cover in alluminio, viti, naselli di fissaggio e perni in acciaio, bussola in zama.



Handle in die-cast aluminium, zamak rotor, derlin case, aluminium cover, steel screws, hooks and setscrews ,zamak bush.



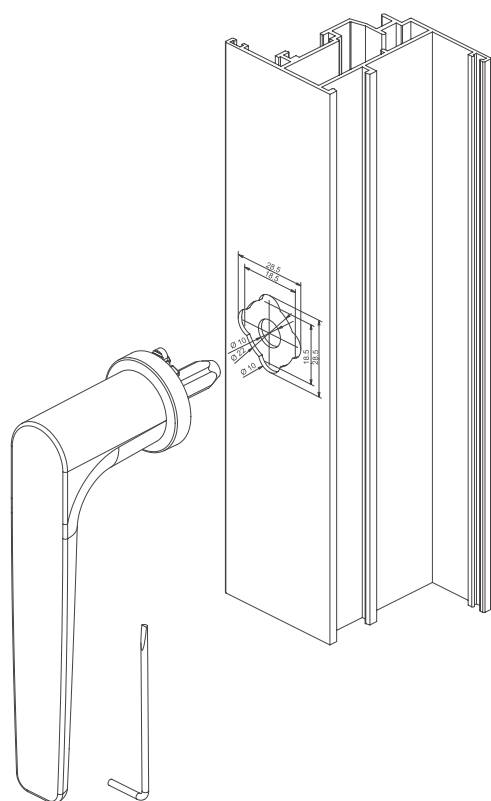
Manche en aluminium moulé sous pression, rotor en zamak, caisse en derlin, cover en aluminium, vis, pènes et pivot en acier et bague en zamak.



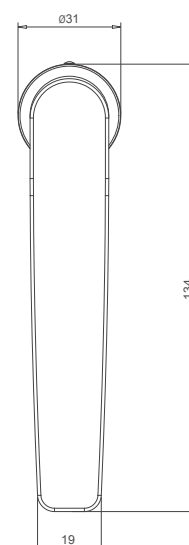
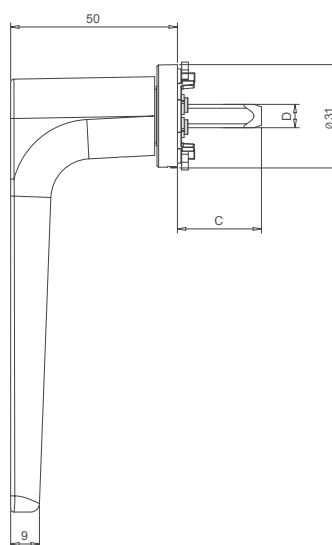
Mango en aluminio de fundición, rotor en zamac, caja en derlin, tapa en aluminio, tornillos, ganchos y pernio en acero, casquillo en zamac.



ART.	3091.20 3091.21 3091.22 3091.23 3091.24				3091.12			
Imballo Package Conditionnement Embalaje	5 PZ				5 Cp			
Finiture disponibili Available finishes Finitions disponibles Acabados disponibles	1	2	3	4	1	2	3	4



Art. 3091.2X



DESCRIZIONE DESCRIPTION	ART.	C	D
Martellina minimal design universale Universal minimal design handle	3091.20	8,5-27mm	7
Martellina minimal design universale Universal minimal design handle	3091.21	18,5-37mm	7
Martellina minimal design universale Universal minimal design handle	3091.22	23,5-42mm	7

DESCRIZIONE DESCRIPTION	ART.	C	D
Martellina minimal design universale Universal minimal design handle	3091.23	33,5-52mm	7
Martellina minimal design universale Universal minimal design handle	3091.24	53,5-72mm	7
Doppia martellina minimal design universale Universal minimal design double handle	3091.12	Max 65mm	7