



ITALIA

MARTELLINA MINIMAL DESIGN



Martellina minimal design | Minimal design handle
Bequille a poignee design minimaliste | Maneta de diseño minimal



Manico in alluminio pressofuso, rotore in zama, cassa in derlin, cover in alluminio, viti e perno in acciaio e bussola in zama.



Handle in die-cast aluminium, zamak rotor, derlin case, aluminium cover, steel screws and pin, zamak bush.



Manche en aluminium moulé sous pression, rotor en zamak, caisse en derlin, cover en aluminium, vis et pivot en acier, bague en zamak.

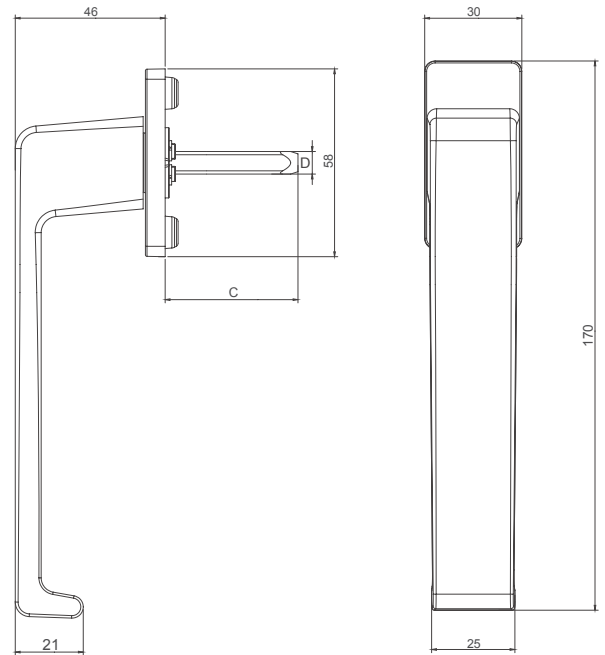
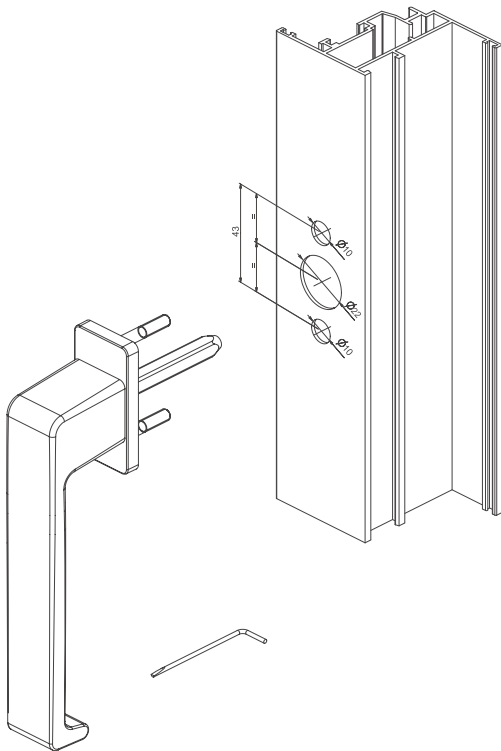


Mango en aluminio de fundición, rotor en zamac, caja en derlin, tapa en aluminio, tornillos y perno en acero, casquillo en zamac.



ART.	3090.30 3090.31 3090.32 3090.33 3090.34	3090.13
Imballo Package Conditionnement Embalaje	5 PZ	5Cp
Finiture disponibili Available finishes Finitions disponibles Acabados disponibles	1 2 3 4	1 2 3 4

Art. 3090.3X



DESCRIZIONE DESCRIPTION	ART.	C	D
Martellina minimal Int. 43mm - Italia Minimal design handle Int. 43mm "ITALIA"	3090.30	17,5-27mm	7
Martellina minimal Int. 43mm - Italia Minimal design handle Int. 43mm "ITALIA"	3090.31	27,5-35mm	7
Martellina minimal Int. 43mm - Italia Minimal design handle Int. 43mm "ITALIA"	3090.32	32,5-42mm	7

DESCRIZIONE DESCRIPTION	ART.	C	D
Martellina minimal Int. 43mm - Italia Minimal design handle Int. 43mm "ITALIA"	3090.33	42,5-52mm	7
Martellina minimal Int. 43mm - Italia Minimal design handle Int. 43mm "ITALIA"	3090.34	62,5-72mm	7
Doppia martellina minimal Int. 43mm - Italia Double minimal design handle Int. 43mm "ITALIA"	3090.13	Max 65mm	7