



# MARTELLINA RIBASSATA

## MARTELLINA



Martellina | Handle  
Bequille a poignee | Maneta



Manico, cassa, copricassa e rotore in zama; boccole antifrizionamento in Derlin, perno e viti in acciaio.



Zamak handle, body, case and rotor; Derlin low-friction bushing, steel screws and pin.



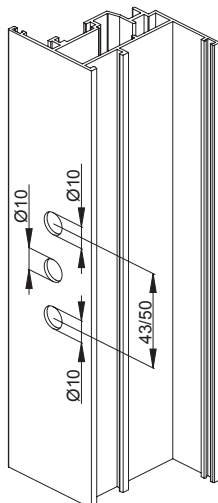
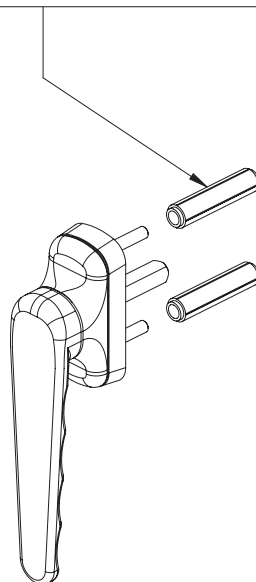
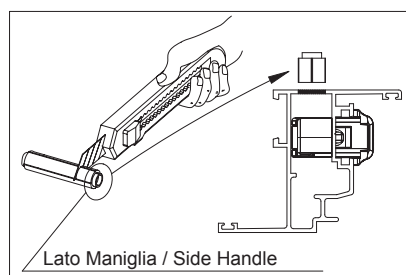
Béquille, caisse, couvre-caisse et rotor en zamak; bagues anti-friction en Derlin, vis et pivot en acier.



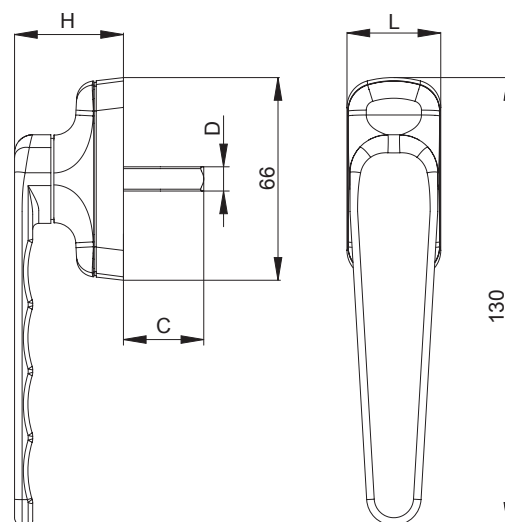
Mango, caja, cobertura de caja y rotor de zamak; casquillos antifricción de Derlin, tornillos y pernio en acero.



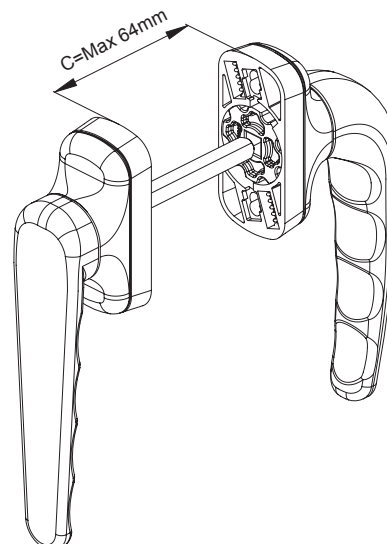
ART.	3074.7   3074.8			
Imballo   Package   Conditionnement   Embalaje	5 PZ			
Finiture disponibili   Available finishes Finitions disponibles   Acabados disponibles	1	2	3	4



Art. 3074.7 | .8



Art. 3074.17



DESCRIZIONE DESCRIPTION	ART.	L	H	C	D
"COMFORT" Martellina "COMFORT" Handle	3074.7	31	35.8	26 mm	7
"COMFORT" Martellina "COMFORT" Handle	3074.8	31	35.8	46 mm	7
"COMFORT" Doppia martellina "COMFORT" Double handle	3074.17	31	35.8	Max 64	7