



## DOPPIA MANIGLIA IN NYLON



Doppia maniglia in nylon | Double handle in nylon  
Bequille double en nylon | Manilla doble de nylon



Manico, cassa e copricassa in nylon; molla, quadro e viti in acciaio zincato. Perno e viti in acciaio.



Handle, body and case in nylon; galvanized steel spring, end and screws.



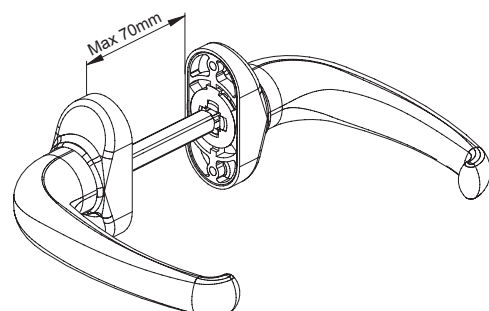
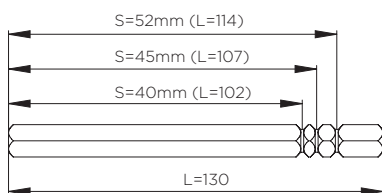
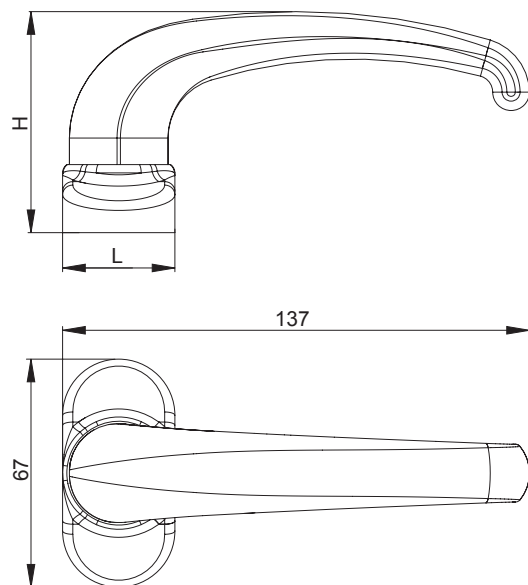
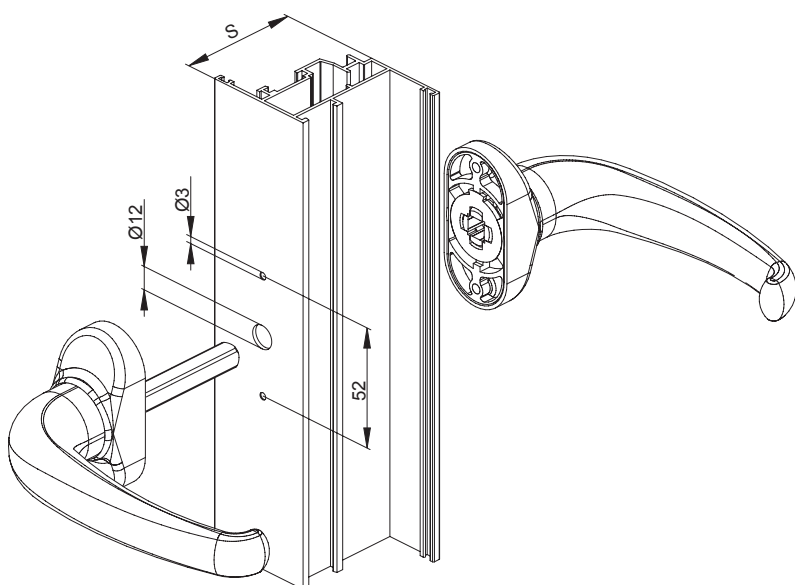
Béquille, caisse et couvre-caisse en nylon; ressort, cadre et vis en acier zingué.



Mango, caja y cubierta caja de nylon; muelle, cuadradillo y tornillos de acero galvanizado.



ART.	3134			
Imballo   Package   Conditionnement   Embalaje	15 CP			
Finiture disponibili   Available finishes Finitions disponibles   Acabados disponibles	1	2	3	4



DESCRIZIONE DESCRIPTION	ART.	L	H
Doppia maniglia in nylon Nylon double handle	3134	33	65