



# ITALIA

## MANIGLIA MINIMAL DESIGN RIBASSATA



Maniglia minimal design ribassata | Reduced minimal design handle  
Baïssée design minimaliste | Maneta rebajada de diseño minimal



Manico in alluminio pressofuso, rotore in zama, cassa in derlin, cover in alluminio, viti e perno in acciaio e bussola in zama.



Handle in die-cast aluminium, zamak rotor, derlin case, aluminium cover, steel screws and pin, zamak bush.



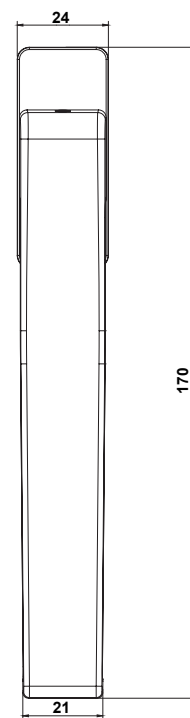
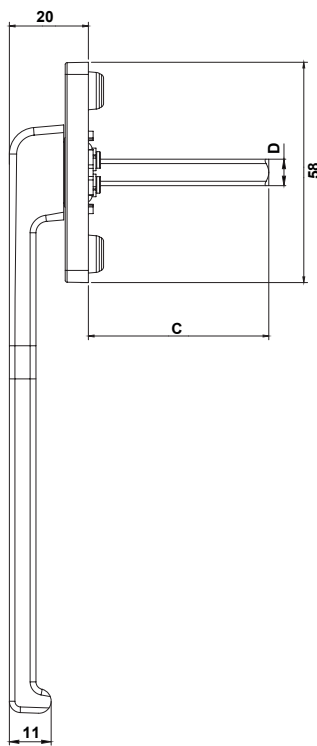
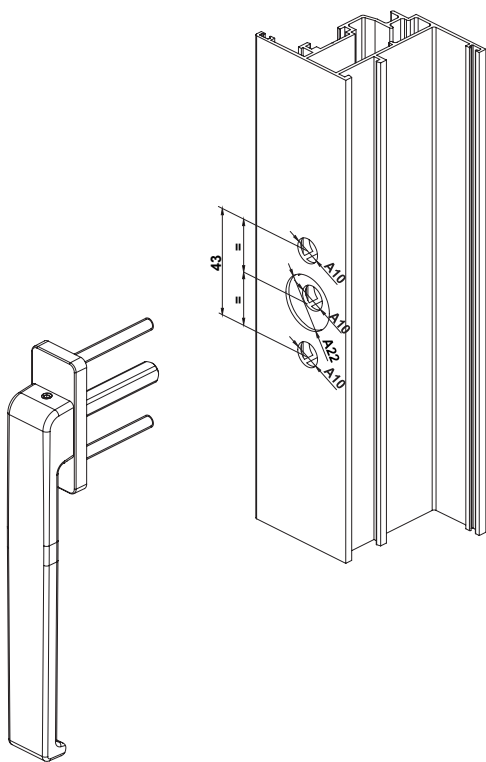
Manche en aluminium moulé sous pression, rotor en zamak, caisse en derlin, cover en aluminium, vis et pivot en acier, bague en zamak.



Mango en aluminio de fundición, rotor en zamak, caja en derlin, tapa en aluminio, tornillos y perno en acero, casquillo en zamak.



ART.	3094.33			
Imballo   Package   Conditionnement   Embalaje	5 PZ			
Finiture disponibili   Available finishes Finitions disponibles   Acabados disponibles	1	2	3	4



ART.	C	D
3094.33	43	7