



KARMA

MARTELLINA



Martellina minimal design | Minimal design handle
Bequille a poignee design minimaliste | Maneta de diseño minimal



Manico in alluminio pressofuso, tappo e rondella in nylon, bussola in zama, grano, molla e perno in acciaio inox.



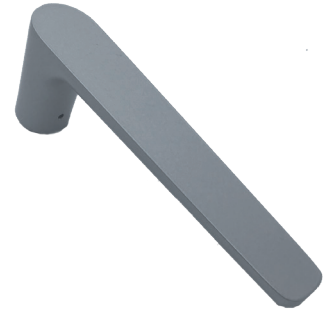
Handle in die-cast aluminium, nylon plug and washer, zamak bush, setscrew, stainless steel spring, setscrew and pin.



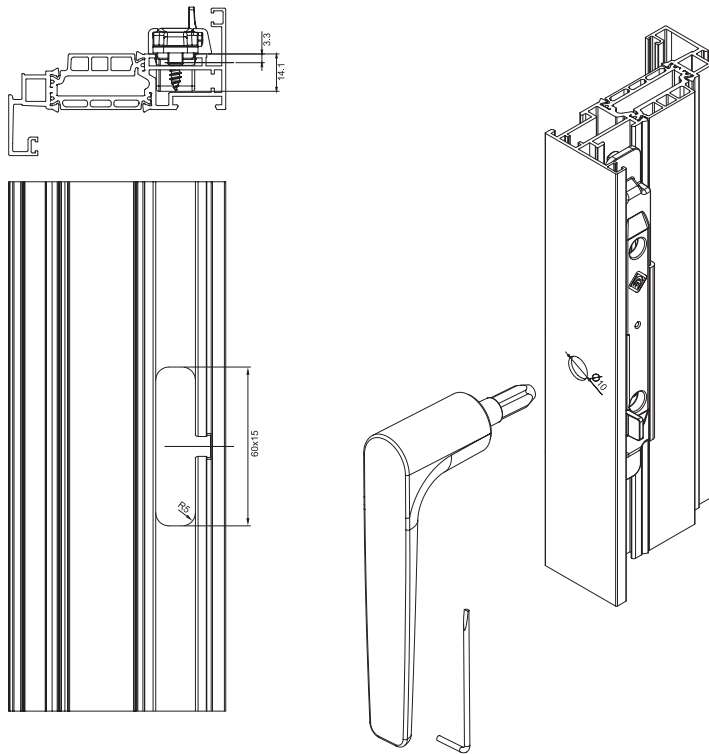
Manche en aluminium moulé sous pression, nylon bouchon et rondelle, bague en zamak, grain, ressort et pivot en acier inox.



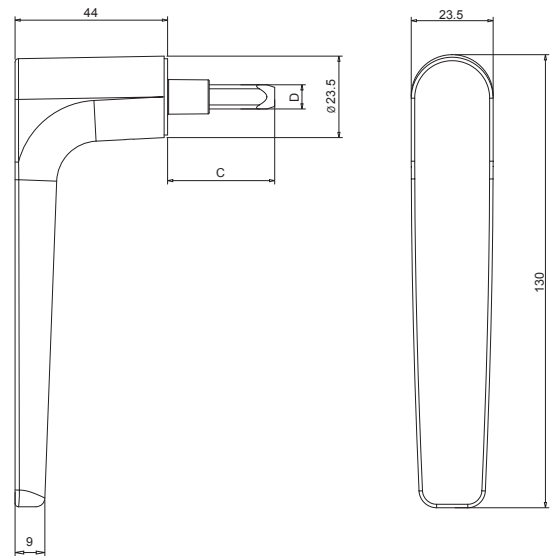
Mango en aluminio de fundición, tapón y arandela en nylon, casquillo en zamac prisionero, muelle y pernio en acero inoxidable.



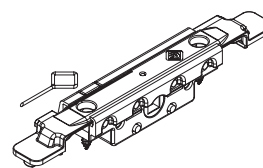
ART.	3091 3091.1 3091.2 3091.3 3091.4
Imballo Package Conditionnement Embalaje	5 PZ
Finiture disponibili Available finishes Finitions disponibles Acabados disponibles	1 2 3 4



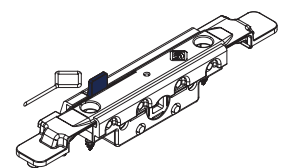
Art. 3091 | 3091.X



	DESCRIZIONE DESCRIPTION	ART.	C	D
!	Martellina minimal design Minimal design handle	3091	15-33,5mm	7
!	Martellina minimal design Minimal design handle	3091.1	25-43,5mm	7
!	Martellina minimal design Minimal design handle	3091.2	30-48,5mm	7
!	Martellina minimal design Minimal design handle	3091.3	40-58,5mm	7
!	Martellina minimal design Minimal design handle	3091.4	60-78,5mm	7



CE	ERRE40
3630.10	3631.10



CE	ERRE40
3630	3631



Utilizzabile solo in abbinamento alla movimentazione
Art. 3630 | 3630.10 - Art. 3631 | 3631.10
Only usable with one way movement
Art. 3630 | 3630.10 - Art. 3631 | 3631.10