



## FERMA ANTA



Ferma anta | Sash stopper  
Clip bloque vantail | Bloqueo hoja



Perno in zama,  
riscontro in nylon,  
grani in acciaio inox.



Zamak pin, nylon  
socket, stainless steel  
setscrews.



Pivot en zamak,  
gâche en nylon,  
grains en acier inox..

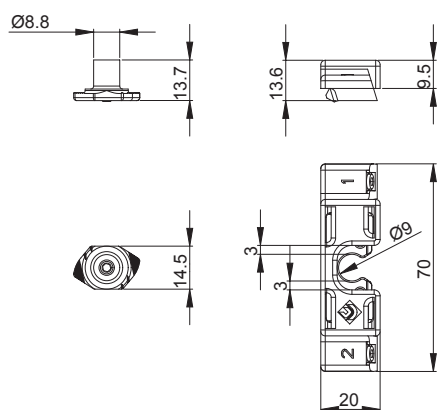


Pernio de zamak,  
cerradero de nylon,  
prisioneros de acero  
inox.

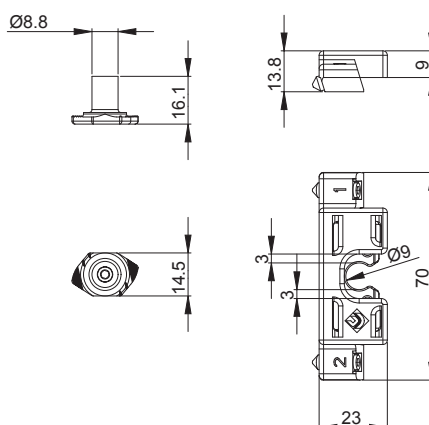


ART.	4220.1   4220.2 4220.3
Imballo   Package   Conditionnement   Embalaje	50 Pz
Finiture disponibili   Available finishes Finitions disponibles   Acabados disponibles	1 2 3 4

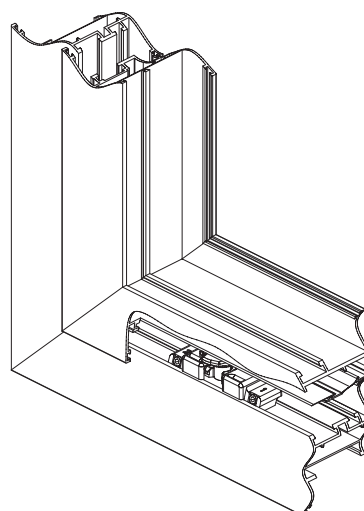
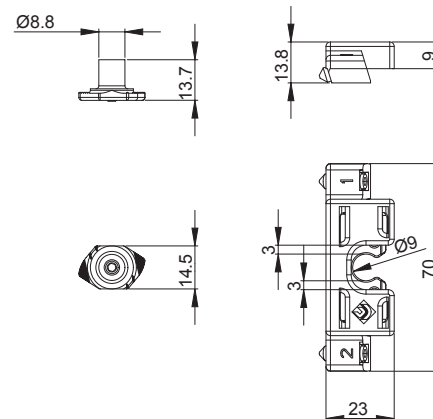
Art. 4220.1



Art. 4220.2



Art. 4220.3



ART.	NODO SECTION
4220.1	A01 - A02 - A05 - A06 - A20 - A21 - A22
4220.2	A08 - A23
4220.3	A11 - A12