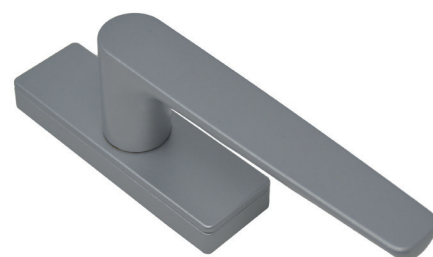




KARMA

MARTELLINA CASSA 100 MM

Martellina cassa 100 mm | Handle body 100 mm |
Martelet Caisse 100 mm | Maneta Caja de 100 mm



Manico in alluminio pressofuso, cassa, copricassa e rotore in zama, viti e perno in acciaio.



Die-cast aluminium handle, body, body cover and rotor in zamak, screws and pin in steel.

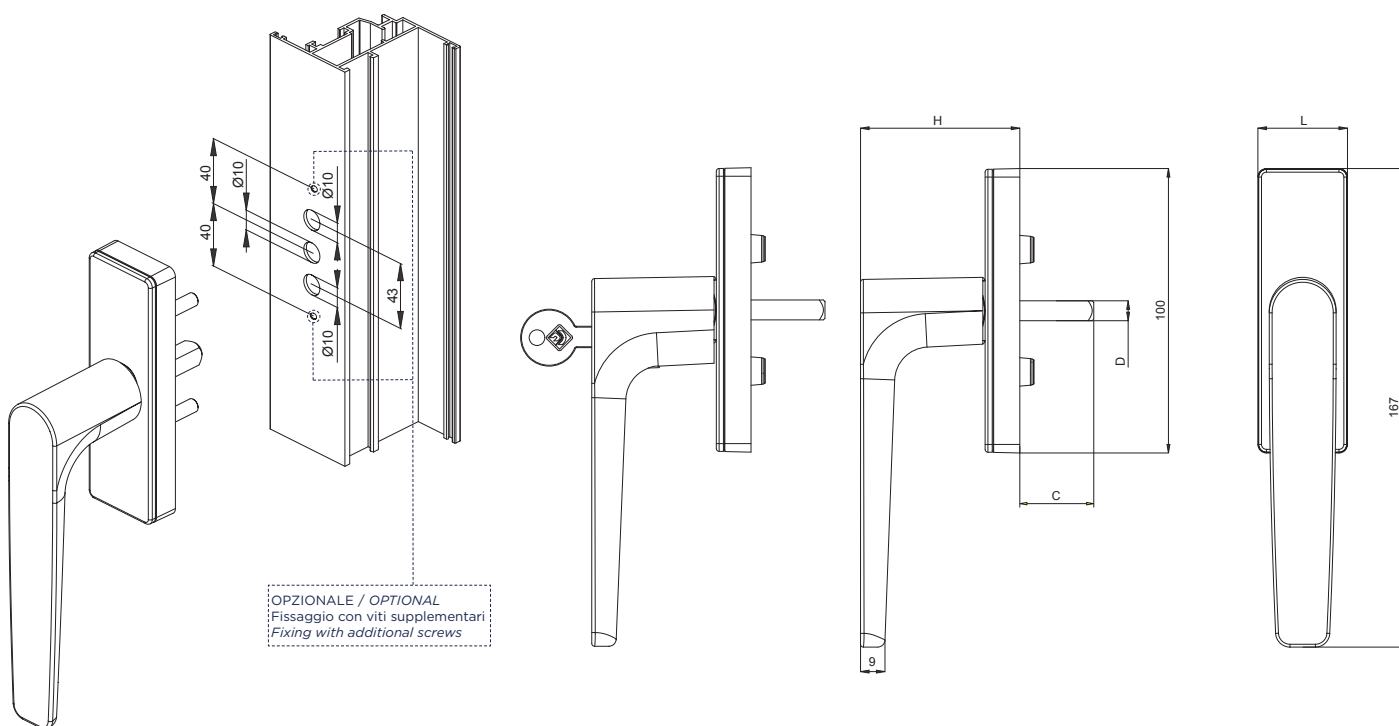


Poignée en aluminium coulé ; caisse, couvre-caisse et rotor en zamac ; pivot et vis en acier.



Mango de aluminio moldeado a presión; caja, cubrecaja y rotor de zamak; tornillos y perno de acero.

ART.	3103 3105 3103.1 3105.1 3105.25				
Imballo Package Conditionnement Embalaje	5 Pz				
Finiture disponibili Available finishes Finitions disponibles Acabados disponibles	<table border="1"> <tr> <td>1</td> <td>2</td> <td>3</td> <td>4</td> </tr> </table>	1	2	3	4
1	2	3	4		



DESCRIZIONE DESCRIPTION		ART.	L	H	C	D
	KARMA - Martellina KARMA - Handle	3103	31	56	26mm	7
	KARMA - Martellina KARMA - Handle	3103.1	31	56	46mm	7
	KARMA - Martellina con cilindro KARMA - Handle with key	3105	31	56	26mm	7
	KARMA - Martellina con cilindro KARMA - Handle with key	3105.1	31	56	46mm	7
	KARMA - Martellina per anta ribalta manovra logica, apertura DX e SX KARMA - Handle for tilt before turn, right and left opening	3105.25	31	56	26mm	7