



# KARMA

## DOPPIA MANIGLIA



Doppia maniglia | Double handle  
Bequille double | Manilla doble



Manico in alluminio pressofuso; cassa, rotore e copricassa in zama, boccole in derlin, perno e viti in acciaio.



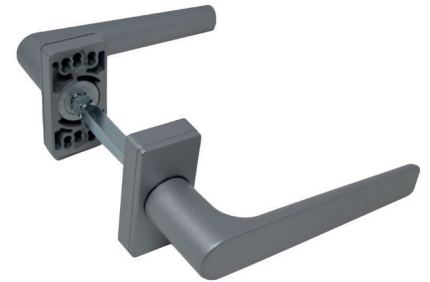
Extruded aluminium handle; body, rotor and body cover in zamak, delrin bushings, stainless steel pin and screws.



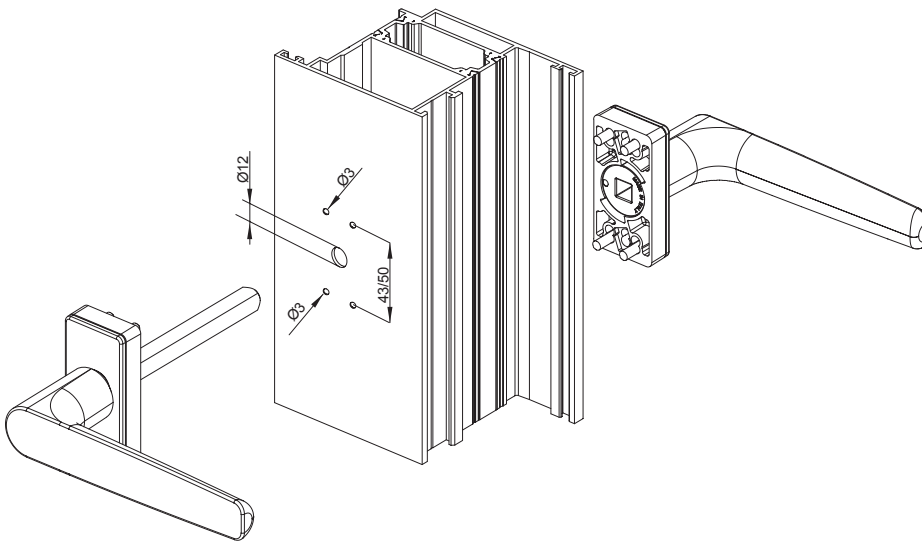
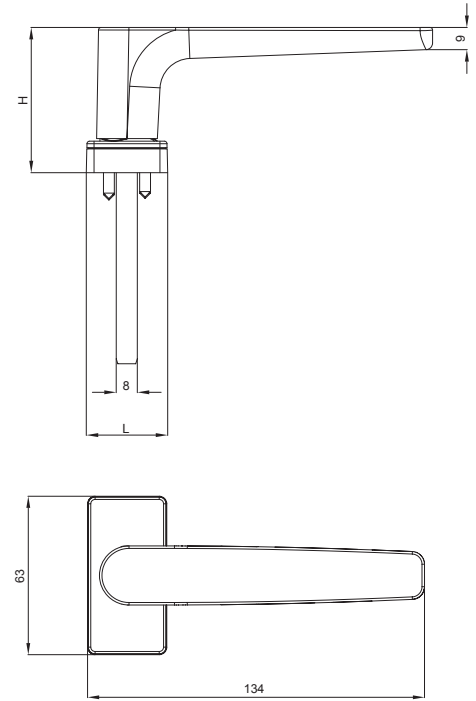
Poignée en aluminium coulé ; caisse, couvre-caisse et rotor en zamak ; bagues en derlin, pivot et vis en acier.



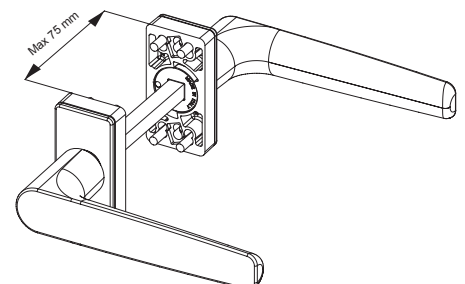
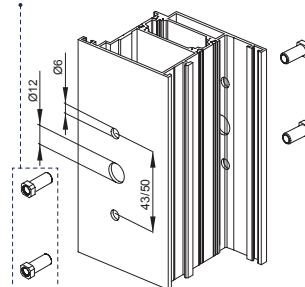
Mango de aluminio moldeado a presión; caja, rotor y cubrecaja de zamak, casquillos de derlin, perno y tornillos de acero.



ART.	3067			
Imballo   Package   Conditionnement   Embalaje	15 CP			
Finiture disponibili   Available finishes Finitions disponibles   Acabados disponibles	1	2	3	4



Art. 3060.7



DESCRIZIONE DESCRIPTION	ART.	L	H
KARMA - Doppia maniglia KARMA - Double handle	3067	31.5	56