



WEEN HIDE 180

CERNIERA SUPERIORE



Cerniera a scomparsa con braccio regolabile per A/R e A/R logica
Concealed Hinge with adjustable arm for T&T and Logic T&T |
Paumelle invisible avec bras réglable pour O/B et Logique |
Bisagra oculta con compás de regulación para O/B y O/B lógica



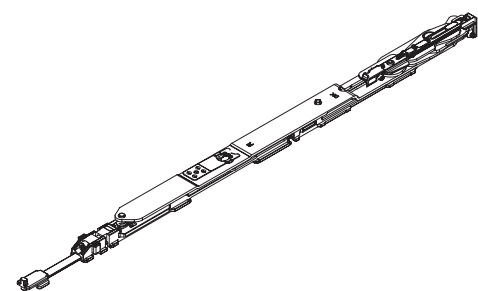
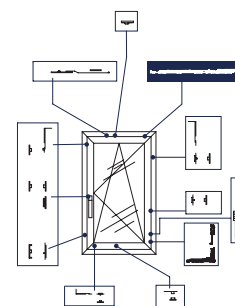
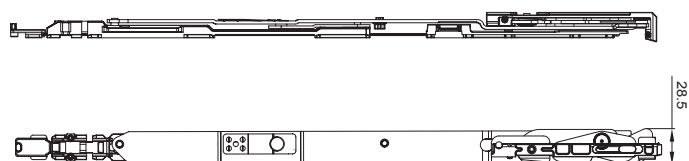
Leve in acciaio,
supporto in ottone,
corpo di regolazione
in zama. Portata
massima: 130 Kg - 170
Kg in abbinamento a
3310.50

Levers in stainless
steel, brass support,
fixing -set zamak
body. Maximum load
: 130kgs- 170Kgs
combined with
3310.50

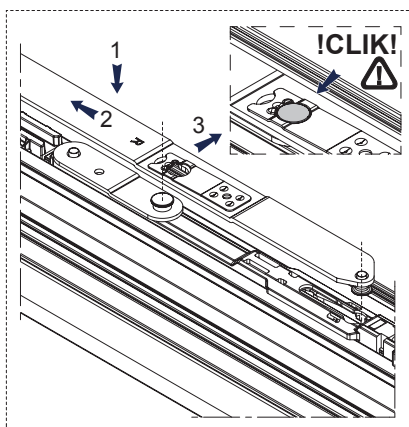
Leviers en
acier, support en
laiton, corps de
réglage en zamak.
Portée: 130 kgs- 170
kgs, à assortir avec
3310.50

Levas de acero,
soporte en latón,
cuerpo de regulación
de zamac. Soporta
hasta: 130 kgs- 170
kgs, se combina con
3310.50

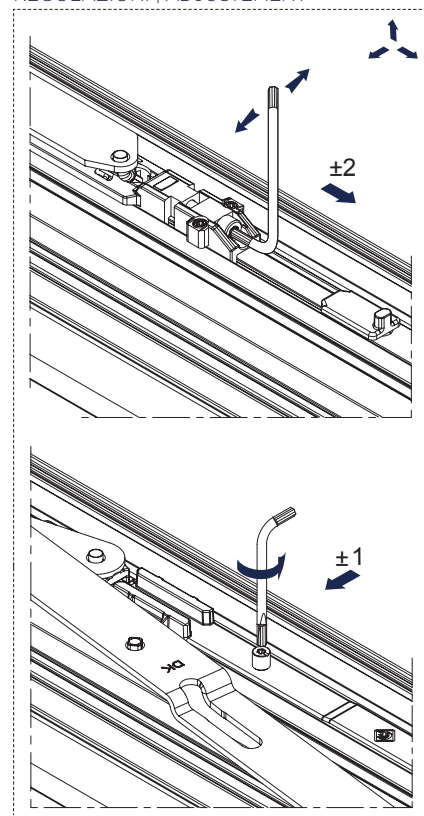
ART.	3301.21S/D				3302.21S/D				3301L.21S/D				3302L.21S/D			
Imballo Package Conditionnement Embalaje	5 Pz				5 Pz				5 Pz				5 Pz			
Finiture disponibili Available finishes Finitions disponibles Acabados disponibles	1	2	3	4	1	2	3	4	1	2	3	4	1	2	3	4



INDICAZIONI DI MONTAGGIO MOUNTING PHASE



REGOLAZIONI | ADJUSTEMENT



DESCRIZIONE DESCRIPTION	ART.	NODO SECTION
L anta da 460mm a 670mm L sash from 460mm to 670mm	3301.20S/D	A03
	3302.20S/D	A01 - A02 - A06
L anta da 460mm a 670mm L sash from 460mm to 670mm	3301L.20S/D	A03
	3302L.20S/D	A01 - A02 - A06
L anta da 671mm a 1700mm L sash from 671mm to 1700mm	3301.21S/D	A03
	3302.21S/D	A01 - A02 - A06
L anta da 671mm a 1700mm L sash from 671mm to 1700mm	3301L.21S/D	A03
	3302L.21S/D	A01 - A02 - A06