



WEEN

CHIUSURA ORIZZONTALE INFERIORE



Chiusura orizzontale | Extra locking point | Point de fermeture supplémentaire | Punto de cierre extra



Riscontri e punti di chiusura in zama, viti e grani in acciaio inox, sostegno in nylon, rullino in ottone.



Counterplates and locking points in zamak, screw and setscrews in stainless steel, nylon support and brass roll.



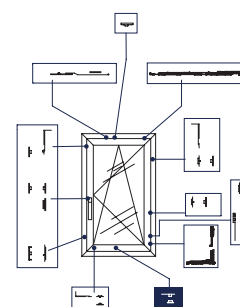
Gâches et points de fermeture en zamak, vis et grains en acier inox, support en nylon et rouleau en laiton.



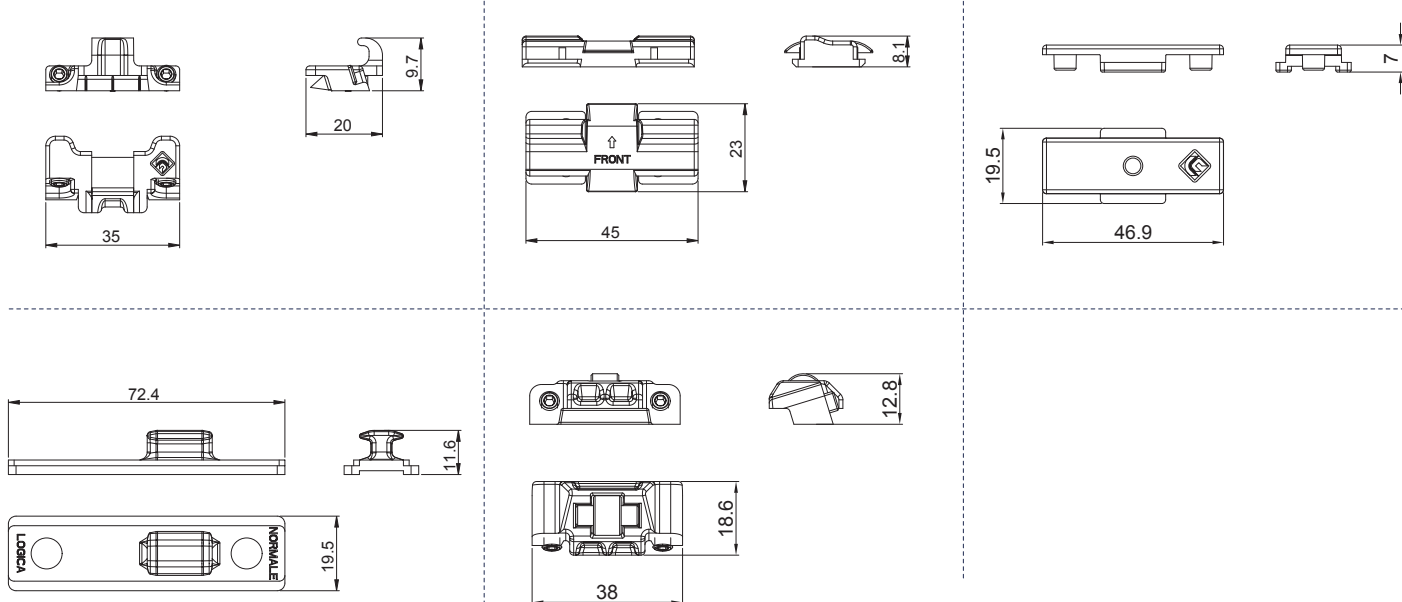
Cerraderos y puntos de cierre de zamac, tornillos y prisioneros de acero inox, soporte en nylon y rolo en latón.



ART.	3400.35			
Imballo Package Conditionnement Embalaje	10 Kit			
Finiture disponibili Available finishes Finitions disponibles Acabados disponibles	1	2	3	4



Art. 3400.35



DESCRIZIONE DESCRIPTION	ART.
L anta > 1200mm L sash > 1200mm	3400.35

