



WEEN

A/R PER ERRE40 140 KG

Anta ribalta Ween 140 kg ERRE40 | Ween tilt and turn ERRE40 140 KG | Oscillo-battant Ween 140 KG ERRE40 | Oscilobatiente Ween 140 KG ERRE40



Cerniere alluminio estruso e zama, terminali e riscontri in zama, piastrine e viti in acciaio inox
Portata massima: 140 Kg



Hinges in extruded aluminum and zamak, corner return, terminals and handles in zamak, plates and screw in stainless steel. Maximum load: 140 Kg



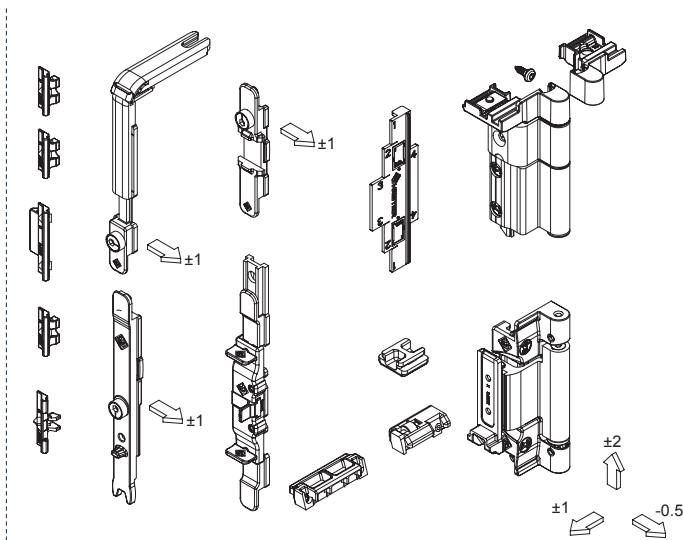
Paumelles en aluminium extrudé et zamak, renvoi d'angle, embout de tringle et gâches en zamak, plaques en acier inox. Portée: 140 Kg



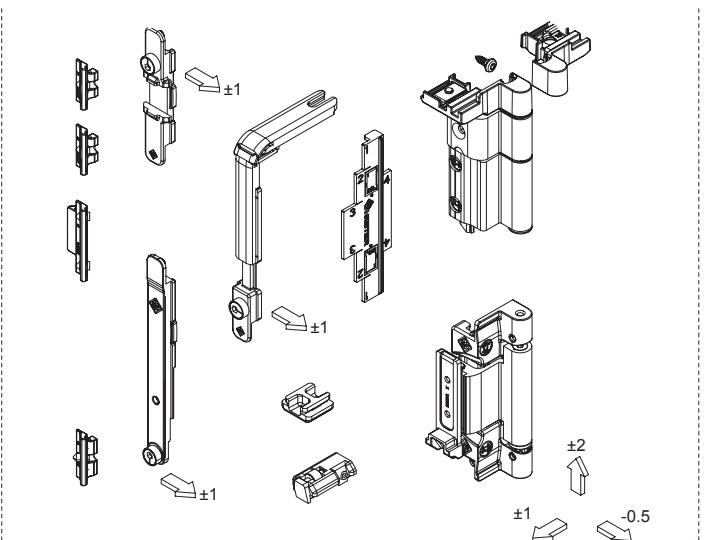
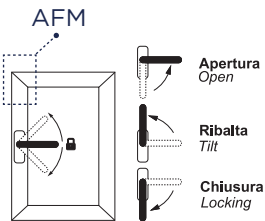
Bisagras de aluminio extruido y zamak, reenvio de ángulo bloqueo y cerradero de zamak, plaquetas inox. Soporta hasta: 140 kg



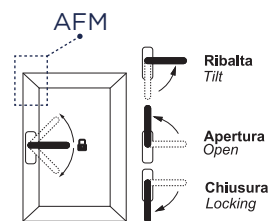
ART.	3451G.1				3451LG.1			
Imballo Package Conditionnement Embalaje	5 Kit				5 Kit			
Finiture disponibili Available finishes Finitions disponibles Acabados disponibles	1	2	3	4	1	2	3	4



Art. 3451G.1
Kit base standard con **antifalsamanovra superiore**
Standard kit with **upper anti-false manoeuvre (AFM)**



Art. 3451LG.1
Kit base manovra logica con **antifalsamanovra superiore**
Logic version with **upper anti-false manoeuvre (AFM)**



ABBINABILI A MOVIMENTAZIONI: xxx

ART.	NODO SECTION
3421G.1 3451G.1 3421LG.1 A3451LG.1	A08

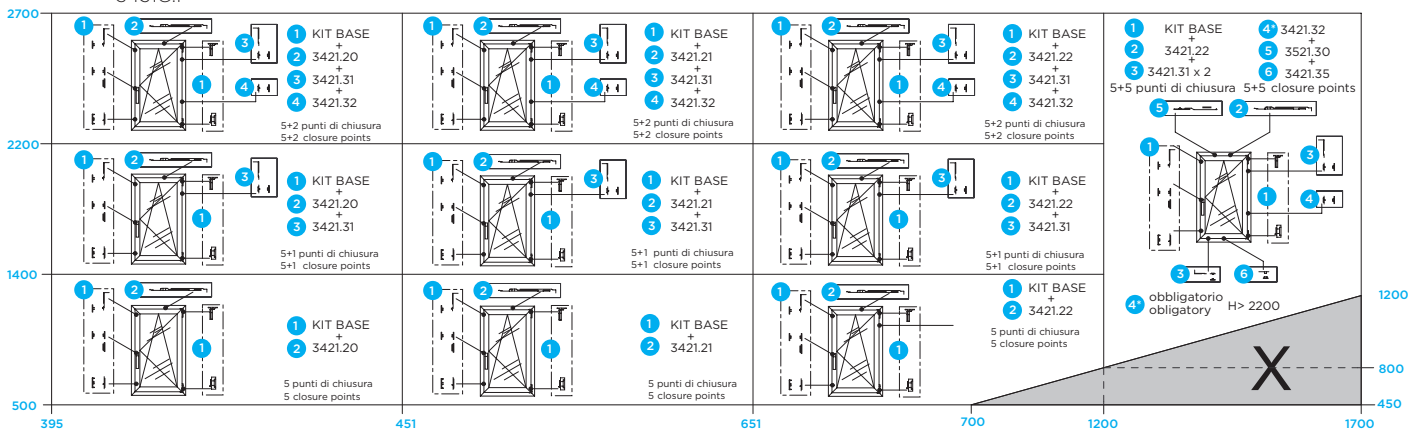


Portate > 100 kg e < 160 kg vite obbligatoria
Compulsory for sah weight > 100kg < 160 kg

PESO MASSIMO DELL'ANTA (alluminio + vetro = 140 Kg) MAXIMUM WEIGHT OF THE SASH (alluminium + glass =140 Kg)															
Spessore max. del vetro indicato (es. 30 mm) Maximum thickness of the glass (es. 30 mm)							N.D. = Dimensione Non Disponibile N.D. = Dimension Not Available								
Nota: Lo spessore massimo del vetro impiegabile si riferisce al materiale senza la camera d'aria Note: The maximum thickness of the glass is considered without the air-space															
2700	50	41	35	30	26	23	21	19	17	16	15	14	13	12	
2600	50	43	36	31	27	24	22	20	18	17	15	14	13	13	
2500	50	45	37	32	28	25	22	20	19	17	16	15	14	13	
2400	50	47	39	33	29	26	23	21	19	18	17	16	15	14	
2300	50	49	41	35	30	27	24	22	20	19	17	16	15	14	
2200	50	50	42	36	32	28	25	23	21	20	18	17	16	15	
2100	50	50	44	38	33	30	27	24	22	21	19	18	17	14	
2000	50	50	47	40	35	31	28	25	23	22	20	19	18	15	
1900	50	50	49	42	37	33	29	27	25	23	21	20	17	16	
1800	50	50	50	44	39	35	31	28	26	24	22	19	18	16	
1700	50	50	50	47	41	37	33	30	27	25	21	20	19	17	
1600	50	50	50	50	44	39	35	32	29	24	23	21	20	15	
1500	50	50	50	50	47	41	37	34	31	26	24	22	18	13	
1400	50	50	50	50	50	44	40	36	30	28	26	20	15	14	
1300	50	50	50	50	50	48	43	35	32	30	23	17	16	10	
1200	50	50	50	50	50	50	42	38	35	27	20	19	12	5	
1100	50	50	50	50	50	50	46	42	32	23	22	14	6	x	
1000	50	50	50	50	50	50	50	38	28	26	16	7	x	x	
900	50	50	50	50	50	50	37	34	21	10	x	x	x	x	
800	50	50	50	50	50	47	42	25	12	x	x	x	x	x	
700	50	50	50	50	50	50	16	x	x	x	x	x	x	x	
600	50	50	50	50	47	21	x	x	x	x	x	x	x	x	
500	50	50	50	50	x	x	x	x	x	x	x	x	x	x	
H	L	395	500	600	700	800	900	1000	1100	1200	1300	1400	1500	1600	1700

CONFIGURAZIONI | CONFIGURATIONS

KIT BASE= 3421G.1
3451G.1



KIT BASE= 3421LG.1
3451LG.1

