



WEEN

BRACCIO SUPPLEMENTARE PER ANTA RIBALTA ERRE40



Braccio supplementare per anta ribalta | Tilt and turn additional arm
Bras supplémentaire oscillo-battant | Compás suplementario oscilobatiente



Leve, viti e grani in acciaio inox, corpo in zama.



Levers, screw and setscrews in stainless steel, zamak body.



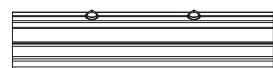
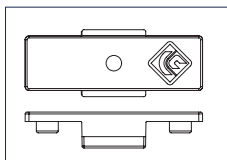
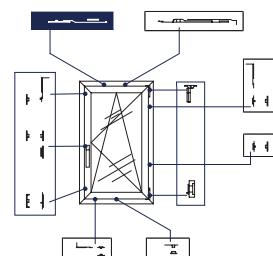
Leviers, vis et grains en acier inox, corps en zamak.



Levas, tornillos y prisioneros de acero inox, cuerpo de zamac.



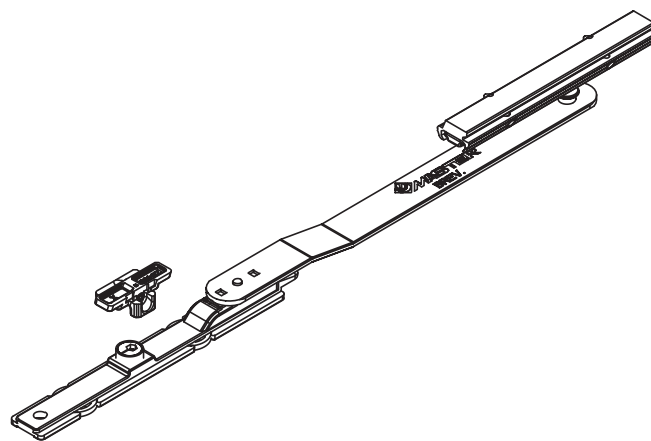
ART.	3521.30			3521L.30		
Imballo Package Conditionnement Embalaje	5 Pz			5 Pz		
Finiture disponibili Available finishes Finitions disponibles Acabados disponibles	2	3	4	2	3	4



In aggiunta nella versione LOGICA
Additional in LOGIC version

ANTA RIBALTA TILT AND TURN			
	DESCRIZIONE DESCRIPTION	ART.	NODO SECTION
WEEN	L anta da 1200mm a 1700mm L sash from 1200mm to 1700mm	3521.30	A08
2.0	L anta da 1000mm a 1700mm L sash from 1000mm to 1700mm	3521.30	A23

LOGICA TILT BEFORE TURN			
	DESCRIZIONE DESCRIPTION	ART.	NODO SECTION
WEEN	L anta da 1200mm a 1700mm L sash from 1200mm to 1700mm	3521L.30	A08



REGOLAZIONI | ADJUSTEMENT

<p>3521.30</p>	<p>ANTA SASH</p> <p>Art. 3551A.22 A/R 2.0 Art. 3421.22 A/R WEEN</p>	<p>TELAIO FRAME</p>
<p>FORATURA ASTINE MACHINING OF THE RODS (HOLES)</p> <p>Ø8 10,1</p>	<p>L-641 A/R - 2.0 L-681 A/R - WEEN</p>	<p>120 258</p>