



WEEN

DIMA PER FORATURA ERRE40

Dima Ween per vite 140 Kg | Ween 140 Kg template |
Gabarit 140 Kg Ween | Plantilla 140 Kg Ween



Nylon e boccola in
acciaio



Drilling template



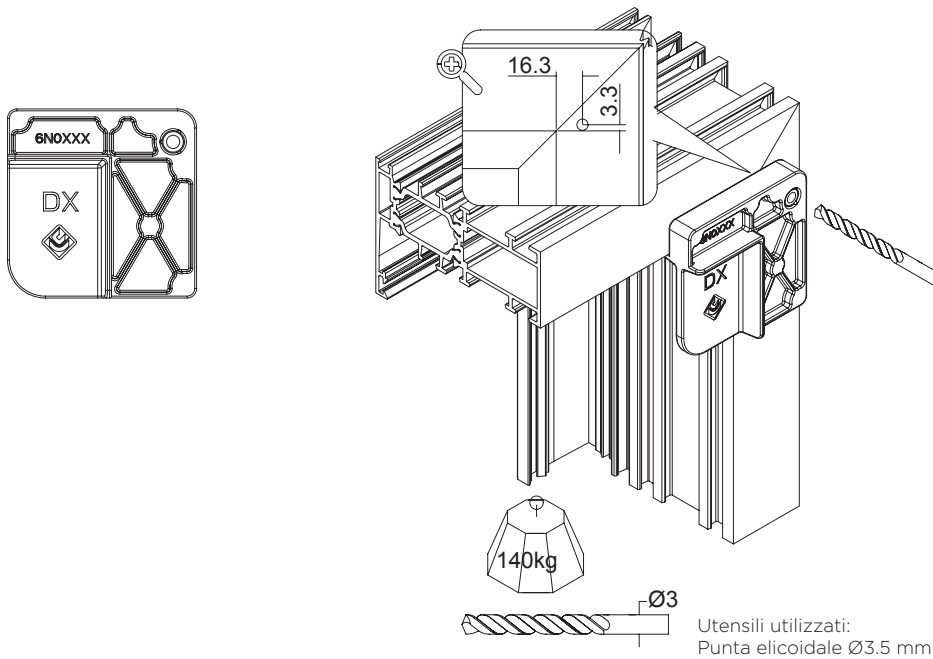
Gabarit de perçage



Plantilla para taladrar



| | | | | |
|---|---------|---|---|---|
| ART. | 3421.50 | | | |
| Imballo Package Conditionnement Embalaje | 25 Pz | | | |
| Finiture disponibili Available finishes Finitions disponibles Acabados disponibles | 1 | 2 | 3 | 4 |



| DESCRIZIONE DESCRIPTION | ART. |
|---------------------------------------|----------|
| Dima di foratura Drilling template | 3421.50* |

*Non obbligatoria per pesi= 100Kg | Not obligatory fot weight = 100Kg