



2.0 DUEPUNTOZERO

BRACCIO PER ANTA RIBALTA R40



Braccio anta ribalta 2.0 | 2.0 tilt and turn arm
Bras oscillo-battant 2.0 | Compás oscilobatiante 2.0



Leve, viti e grani in acciaio inox, corpo in zama, antivento in nylon.



Levers, screw and setscrews in stainless steel, zamak body, nylon windproof system.



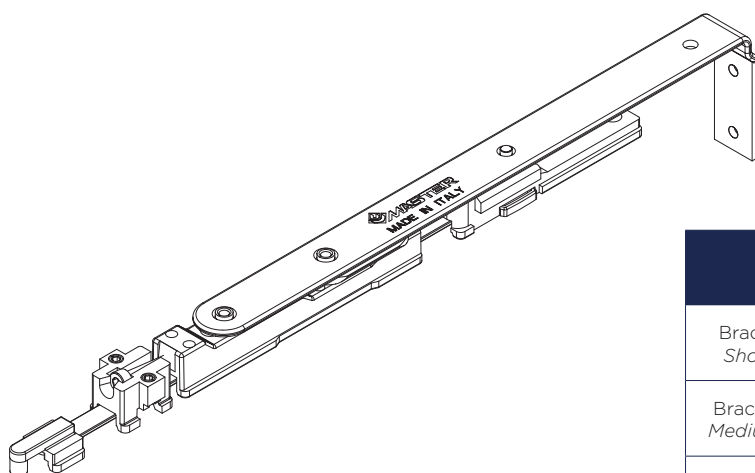
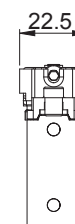
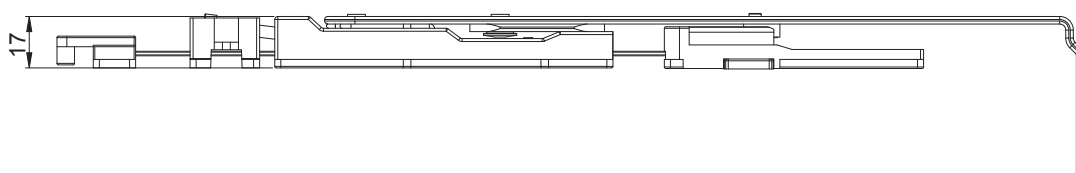
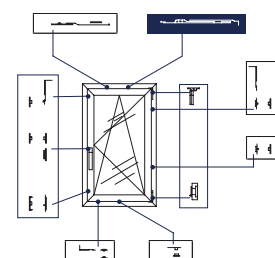
Leviers, vis et grains en acier inox, corps en zamak, système protégeant du vent en nylon.



Levas, tornillos y prisioneros de acero inox, cuerpo de zamak, sistema contaviento de nylon.



ART.	3551A.20 3551A.21 3551A.22
Imballo Package Conditionnement Embalaje	5 Pz
Finiture disponibili Available finishes Finitions disponibles Acabados disponibles	1 2 3 4



DESCRIZIONE DESCRIPTION	ART.	NODO SECTION
Braccio corto (per ante da 370 mm a 600 mm) Short arm (for sash of 370mm up to 600 mm)	3551A.20	A23
Braccio medio (per ante da 430 mm a 600 mm) Medium arm (for sash of 430 mm up to 600 mm)	3551A.21	A23
Braccio lungo (per ante da 601 mm a 1700 mm) Long arm (for sash of 601 mm up to 1700 mm)	3551A.22	A23