



2.0 ALL.CO 5 SORMONTO

BRACCIO PER ANTA RIBALTA



Braccio anta ribalta 2.0 | 2.0 tilt and turn arm
Bras oscillo-battant 2.0 | Compás oscilobatiante 2.0



Leve, viti e grani in acciaio inox, corpo in zama, antivento in nylon.



Levers, screw and setscrews in stainless steel, zamak body, nylon windproof system.



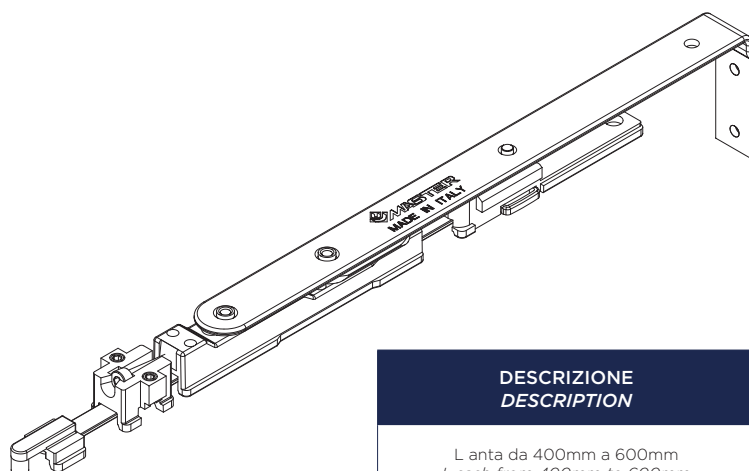
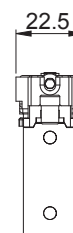
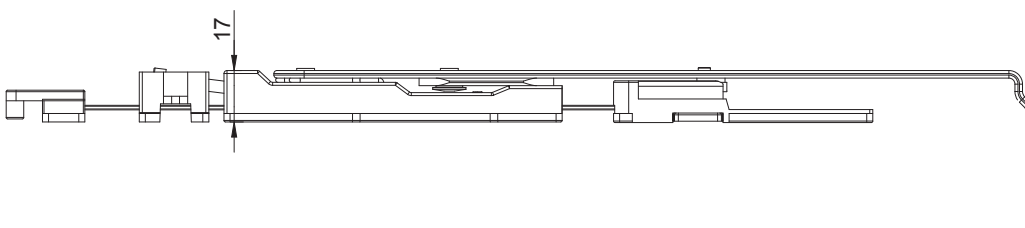
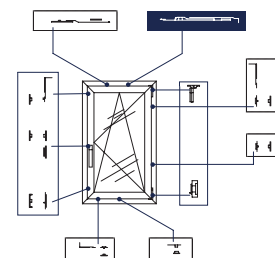
Leviers, vis et grains en acier inox, corps en zamak, système protégeant du vent en nylon.



Levas, tornillos y prisioneros de acero inox, cuerpo de zamak, sistema contaviento de nylon.



ART.	3523.20 3523.21 3523.22			
Imballo Package Conditionnement Embalaje	5 Pz			
Finiture disponibili Available finishes Finitions disponibles Acabados disponibles	1	2	3	4



DESCRIZIONE DESCRIPTION	ART.	NODO SECTION
L anta da 400mm a 600mm L sash from 400mm to 600mm	3523.20	A10
L anta da 465mm a 600mm L sash from 465mm to 600mm	3523.21	A10
L anta da 601mm a 1700mm L sash from 601mm to 1700mm	3523.22	A10