

DIMA CERNIERA PORTE

DIMA DI FORATURA (BREVETTATA)



Dima di foratura per cerniere porta | Drilling template for door hinges
| Gabarit de perçage pour paumelle pour portes | Plantilla de perforación para bisagras para puertas



Dima in alluminio estruso bussole di foratura in acciaio zincata, selettori in zama, grani inox.



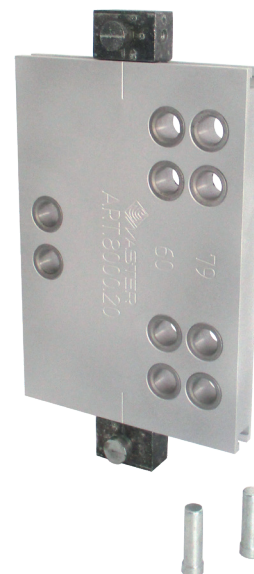
Extruded aluminum drilling template, galvanized steel centering bushes, zamak selector, inox screw without head.



Aluminium extrude, bagues en acier inox.

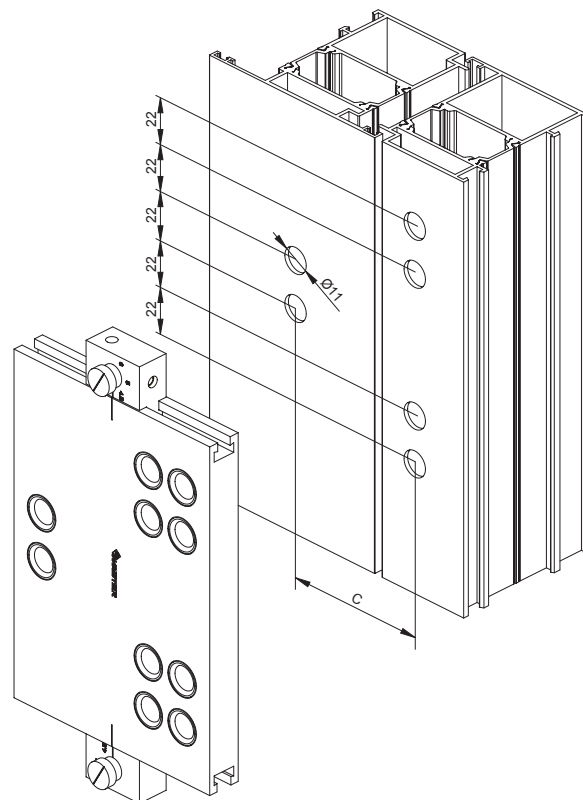
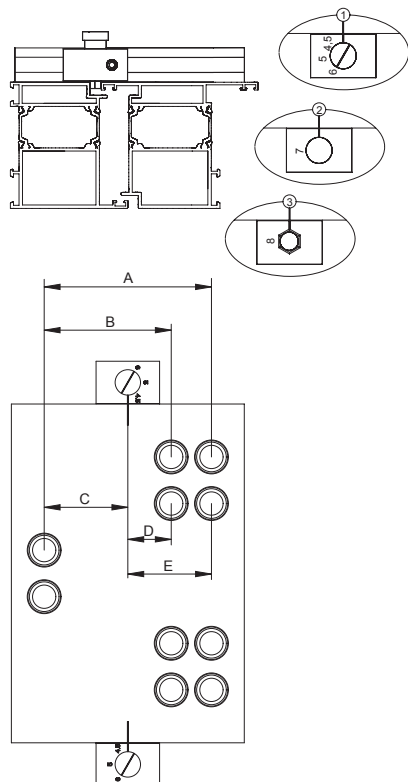


Aluminio extruido, casquillos de acero inox.



ART.	8000.20 8000.21 8000.23			
Imballo Package Conditionnement Embalaje	1 Pz			
Finiture disponibili Available finishes Finitions disponibles Acabados disponibles	1	2	3	4

Art. 8000.2X - Dima di foratura (BREVETTATA) | Drilling template



ART	A	B	C	D	E
8000.20	79	60	39.5	20.5	39.5
8000.21	86	67	46.5	20.5	39.5
8000.23	93	67	46.5	20.5	46.5