



# LINEA MULTICOMFORT

## SERRATURA



Blocco serratura | Lock body for interiors  
Bloc serrure pour interieurs | Bloque cerradura para internos



Blocco serratura  
Art. 6302: i  
componenti principali  
sono realizzati  
in acciaio inox.



Lock body  
Art. 6302: main  
components are  
made of stainless  
steel.



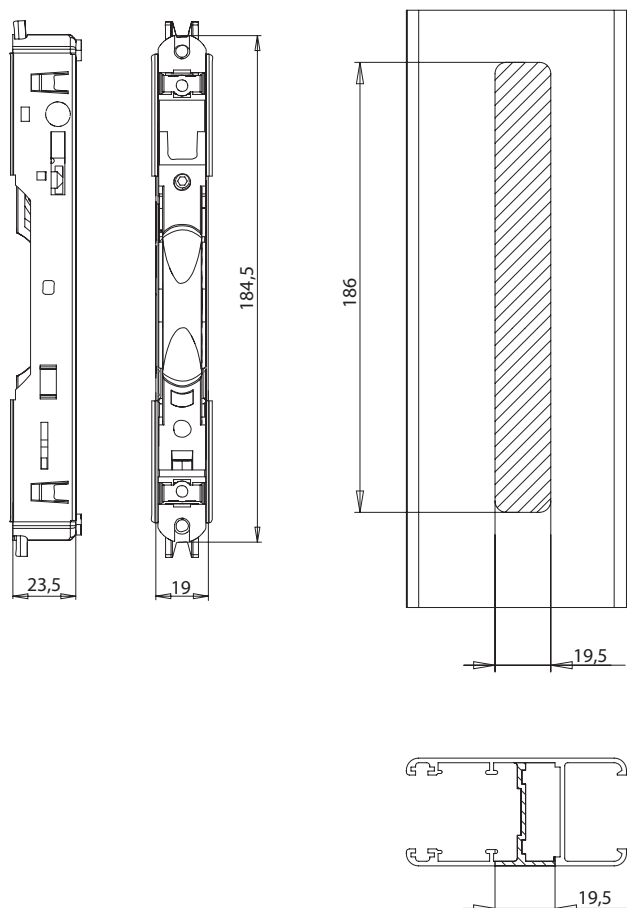
Bloc serrure  
Art. 6302: les  
composants  
principaux sont  
réalisés en acier inox.



Bloque cerradura  
Art. 6302: los  
componentes  
principales se  
fabrican en acero  
inox.



ART.	6302			
Imballo   Package   Conditionnement   Embalaje	20 Pz			
Finiture disponibili   Available finishes Finitions disponibles   Acabados disponibles	1	2	3	4



ESTERNO  
EXTERNAL

INTERNO  
INTERNAL

