



PENDOLINO TOP

CARRELLO BILANCIATO REGISTRABILE 150 - 180 KG



Carrello bilanciato registrabile | Balanced adjustable roller
 Chariot equilibre réglable | Rueda regulable



Supporto esterno in nylon, supporto interno in zama zincata; grano, dado e vite di regolazione in acciaio zincato; cuscinetti a sfera o a rulli in acciaio temprato rivestiti in nylon con fibra di vetro.



External support in nylon, internal support in galvanized zamak; setscrew, nut and adjustment screws in galvanized steel; ball or roller bearings in tempered steel covered in nylon with fiberglass.



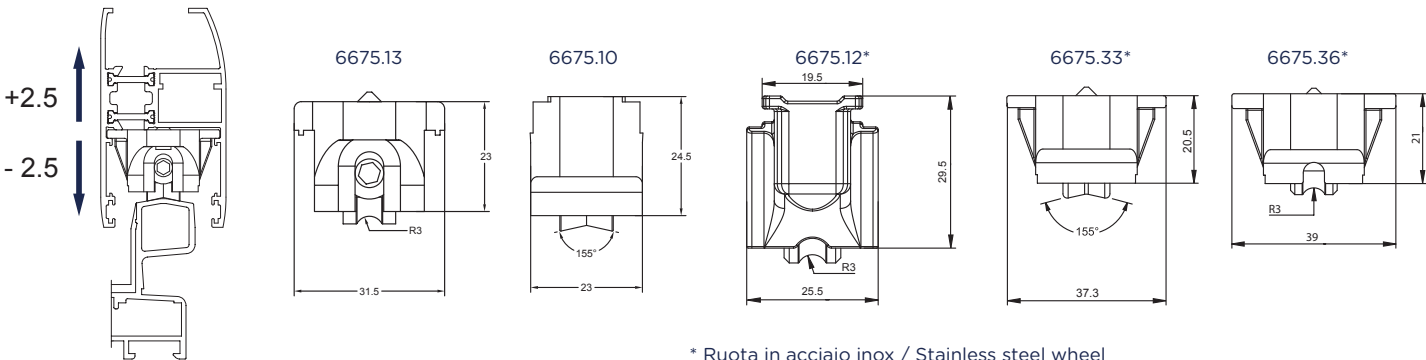
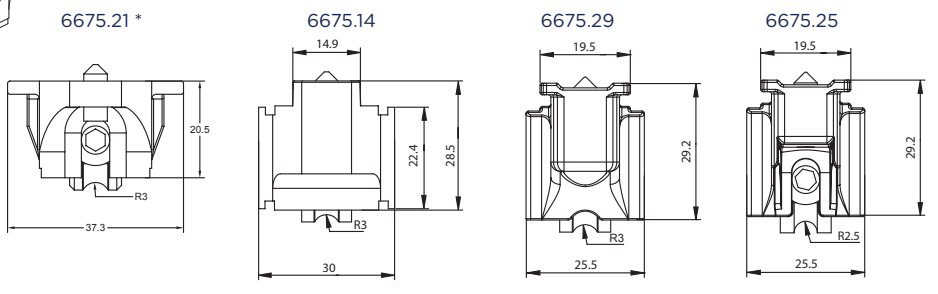
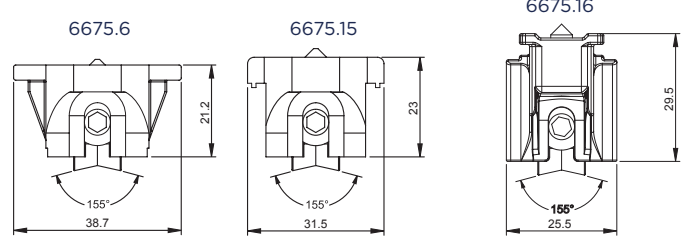
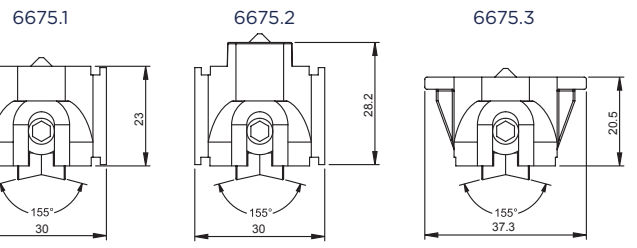
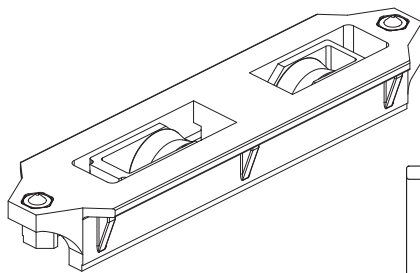
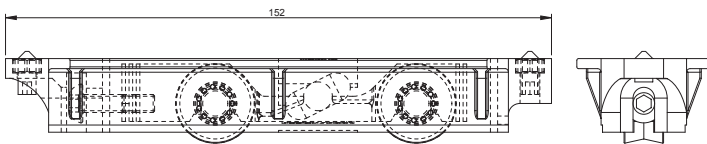
Support extérieur en nylon, support intérieur en zamak zingué; grain, écrou et vis de réglage en acier zingué; roulements à billes ou à aiguilles en acier trempé revêtus en nylon avec fibre de verre.



Soporte externo de nylon, soporte interno de zamak galvanizado; prisionero, tuerca y tornillo de regulación de acero galvanizado; cojinetes de bolas o de rodillos de acero templado revestidos en nylon con fibra de vidrio.



ART.	Tutti All Tous Todos			
Imballo Package Conditionnement Embalaje	60 Pz			
Finiture disponibili Available finishes Finitions disponibles Acabados disponibles	1	2	3	4



* Ruota in acciaio inox / Stainless steel wheel

ESTRUSORE EXTRUDER	SERIE SERIES	PORTATA 100 Kg PER ANTA WEIGHT 100Kg FOR SASH	PORTATA 150 Kg PER ANTA WEIGHT 150 Kg FOR SASH	PORTATA 180 Kg PER ANTA WEIGHT 180 Kg FOR SASH
ALCAN	Abithal Runner	6667	----	6668
	Eco Slide 106 HP	----	----	6675.25
ALEXIA	Alexia Slide 650 S	6667.1	----	6675.15
	Alexia Slide 110 HT			6675.25
	Alexia Slide 650 ST	6667.1	----	6675.15
ALL.CO	All.co Wood S	6667.1	----	6675.15
	Export 60	6667	----	6668
	Triall.co 65 - Triall.co 65 TT	6667.1	----	6675.15
	Triall.co 90 - Triall.co 90 TT	6667.1	----	6675.15
ALSISTEM	Planet Slide 106	----	----	6675.25
ALUMEC	ZN7-41 TT	----	6675.3	----
DFV	Classic Slide	6667	----	6668
	Classic Slide 650 S	6667.1	----	6675.15
	Classic Slide 650 ST	6667.1	----	6675.15
	Ecowin Slide 100TH	----	----	6675.25
EKU Sistemi (Gruppo Profilati)	Eku 100 Slide	----	----	6675.25
	Eku 100 Slide TT	----	----	6675.25
	Eku Woodart Slide	6667.2	----	6668.2
	PE 60 slide	6667	----	6668
	PE 70 slide - PE 70 slide TT	6667.2	----	6668.2
ETA	Eta 48 S	6667.4	----	6668.4
	Start 410 S	6667	----	6668
	Start 900 S	6667.1	----	6675.15
	Start 900 S TT	6667.1	----	6675.15
	Start 1000 WS	6667.1	----	6675.15
	AS 888			6675.25
GEAL	HP Slick			6675.25
HYDRO	Domal 40 S	6667	----	6668
	Domal Slide 56 (26255 26265)	6667.6	----	6668.6
	Domal Slide 80	----	6675.3	----
	Domal Slide PA 80	----	6675.3	----
IBLEA COLOR GROUP	Eku Vuerre 100 S TT	----	6675.3	----
	Eku Vuerre 100 SW TT	----	6675.3	----
INDINVEST	Alpha 560 S	6667	----	6668
	Gold 650 S - Gold 650 ST	6667.1	----	6675.15
METRA	NC 60 int.	6667	----	6668
	NC 60 STH	----	----	6675.1
	NC 70 S	----	----	6675.2
NOVAL	Noval Slide wood 900	6667.3	----	6668.3
OCMA	Parigi	6667	----	6668
PASSERINI	Skeit 60	6667	----	6668
	Skeit 60 super anta da 32 mm	6667	----	6668
	Skeit 60 super anta da 36 mm	6667.1	----	6675.15
	Skeit 60 super TH	6667.1	----	6675.15
	Skeit 110 TH	----	----	6675.25
PONZIO	Sliding 600	6667.4	----	6668.4
RALOX	Ayrton 60	6667	----	6668
	Ayrton 60 TT	----	----	6668.15
TOMA	Atlantis 78 S	----	6675.6	----
	Atlantis 78 STT	----	6675.6	----
	RS slide 100TT			6675.25
TP PROFILATI	Ekos 60 STH	6667.1	----	6675.15