



# SP160 - KIT COVER <100Kg

## KIT COVER FORBICI E CHIUDI BINARIO PER CONFIGURAZIONI PORTATA < 100 KG



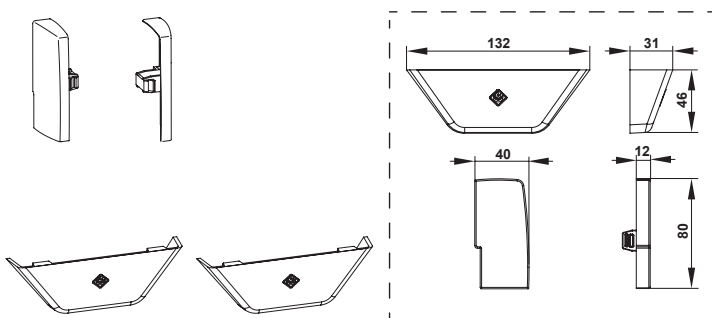
Kit cover forbici e chiudi binario per configurazioni portata <100 Kg  
 Kit of covers for stay arms, and frame closing for configuration <100 Kg  
 Kit cover compas et ferme voie pour configurations portée <100 Kg  
 Kit de cubiertas para brazos y guías en configuración hasta 100 Kgs



Cover in abs      Covers in ABS      Cover en abs      Cubiertas en ABS

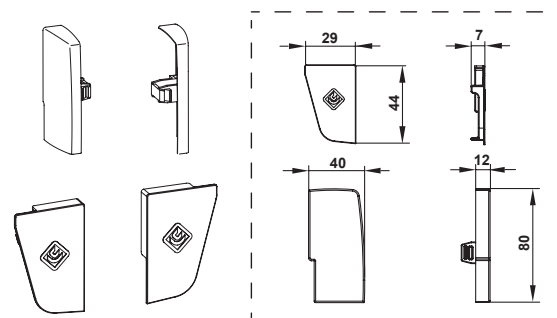
ART.	3910.11   3910.1			
Imballo   Package   Conditionnement   Embalaje	1 Pz			
Finiture disponibili   Available finishes Finitions disponibles   Acabados disponibles	1	2	3	4

Art. 3910.1



In abbinamento agli art. 3940.1 - 3940.2 - 3940.3  
 Combined with art. 3940.1 - 3940.2 - 3940.3

Art. 3910.11



In abbinamento agli art. 3940.11 - 3940.12 - 3940.13  
 Combined with art. 3940.11 - 3940.12 - 3940.13

H	2380	X	X	X	X	X	X	13
	2300	X	X	X	X	X		14
	2200	X	X	X	X	X		14
	2100	X	X	X	X		17	16
	2000	X	X	X	X		18	17
	1900	X	X	X		21	19	18
	1800	X	X	X		22	20	19
	1700	X	X		26	24	21	20
	1600	X	X		28	25	23	21
	1500	X		33	30	27	24	22
	1400	X		36	32	29	26	24
1300		46	38	34	31	28	26	
1200		50	42	37	33	30	28	
1100		50	45	40	36	33	30	
1000		50	50	44	40	36	33	
930		50	50	48	43	39	36	
		670	800	900	1000	1100	1200	1280
		L						

L = 670 - 1280  
 H = 930 - 2380

H : L = max 2 : 1

20 Anta eseguibile con spessore vetro Max 20mm  
 Sash size executable with Max glass thickness 20mm  
 X Dimensione non eseguibile  
 Not feasible