



SQUADRETTA AD AGGANCIAMENTO ESTERNO

Squadretta ad aggancio esterno | Corner with external clasp
 Equerre a accrochage extérieur | Escuadra de agarre externo



Ali in alluminio pressofuso, vite M6 con rivestimento protettivo dacromet 320 e rondella in acciaio zincato, pulsanti in zama, molle in acciaio temprato.



Die-cast aluminium wings, galvanized steel M6 screw with protective Dacromet 320 coating and washer, zamak buttons, tempered steel springs.



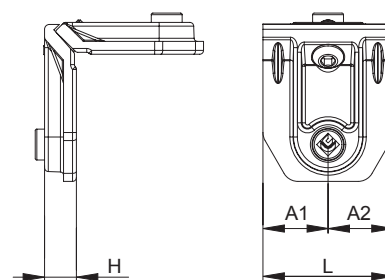
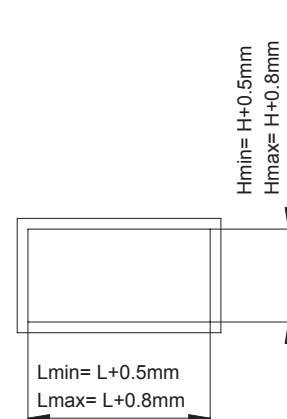
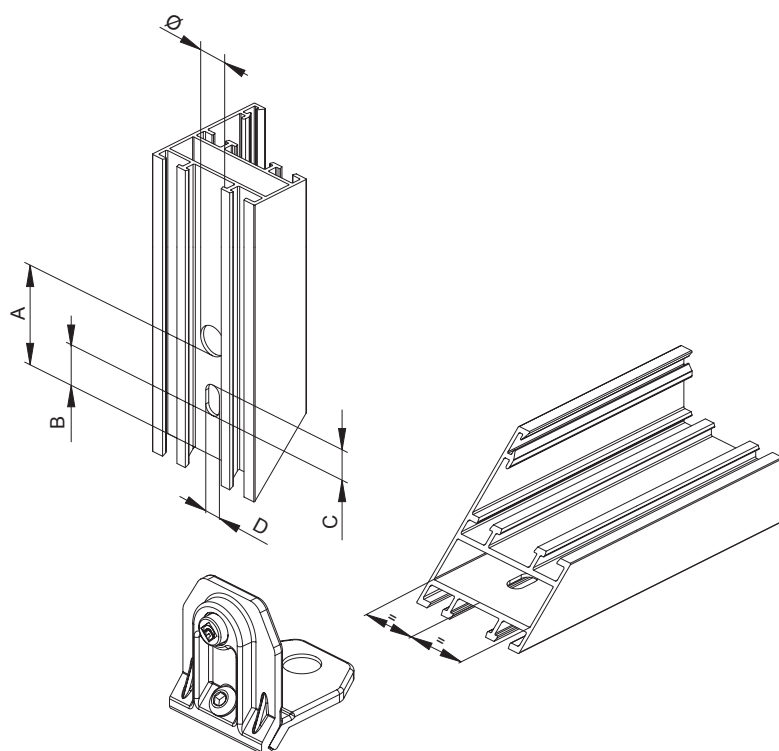
Ailes en aluminium moulées sous pression, vis M6 avec revêtement de protection Dacromet 320 et rondelle en acier zingué, boutons en zamak, ressorts en acier zingué.



Alas de aluminio de fundición, tornillos M6 con revestimiento protector Dacromet 320 y arandela de acero galvanizado, botones de zamak, resortes de acero templado.

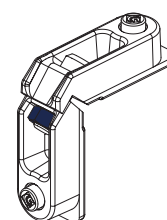


| ART. | TUTTI ALL TOUS TODOS | | | |
|---|--------------------------|---|---|---|
| Imballo Package Conditionnement Embalaje | 150 PZ | | | |
| Finiture disponibili Available finishes Finitions disponibles Acabados disponibles | 1 | 2 | 3 | 4 |





| ART. | L | H | Ø | A | B | C | D | A1 | A2 | CH |
|-----------|------|------|------|------|------|----|---|------|------|----|
| 0339 # | 13.7 | 11.8 | 8 | 39 | 17 | 11 | 6 | = | = | 4 |
| 0368 | 14 | 13.5 | 8 | 38 | 14 | 14 | 6 | = | = | 4 |
| 0357 | 15.3 | 8.2 | 9.5 | 33 | 11 | 11 | 6 | = | = | 4 |
| 0369 | 16.5 | 10.3 | 9.5 | 38 | 12 | 18 | 6 | = | = | 4 |
| 0338 # | 16.8 | 14.3 | 10.5 | 41 | 21 | 11 | 6 | = | = | 5 |
| 0338.1 # | 16.8 | 14.3 | 8 | 42 | 21 | 11 | 6 | = | = | 5 |
| 0337 | 19 | 10.5 | 10.5 | 37 | 12 | 11 | 6 | = | = | 4 |
| 0364 | 20.5 | 10.3 | 10.5 | 36 | 14.5 | 11 | 6 | = | = | 4 |
| 0333 | 22 | 10.5 | 10.5 | 37 | 12 | 11 | 6 | = | = | 4 |
| 0358 | 21.9 | 8.2 | 9.5 | 33 | 11 | 11 | 6 | = | = | 4 |
| 0397 | 21.9 | 13.7 | 10.5 | 41 | 19 | 13 | 6 | = | = | 5 |
| 0332 | 23 | 14 | 10.5 | 41 | 21 | 11 | 6 | = | = | 5 |
| 0332.8 | 23 | 14 | 8 | 42 | 21 | 11 | 6 | = | = | 5 |
| 0314 | 23.9 | 14 | 10.5 | 41 | 22 | 11 | 6 | = | = | 5 |
| 0314.8 | 23.9 | 14 | 8 | 42 | 22 | 11 | 6 | = | = | 5 |
| 0344 | 23.9 | 26 | 10.5 | 41 | 18.5 | 14 | 6 | = | = | 5 |
| 0330.8 | 23.7 | 10.5 | 8 | 38 | 12 | 11 | 6 | = | = | 4 |
| 0331 | 24 | 10.5 | 10.5 | 37 | 12 | 11 | 6 | = | = | 4 |
| 0331.8 | 24 | 10.5 | 8 | 38 | 12 | 11 | 6 | = | = | 4 |
| 0319 | 25 | 8.1 | 9.5 | 35 | 12.5 | 11 | 6 | = | = | 4 |
| 0340 | 25.2 | 17 | 10.5 | 41 | 22 | 11 | 6 | = | = | 5 |
| 0313 | 25.8 | 9.9 | 8 | 37.5 | 14.5 | 11 | 6 | = | = | 4 |
| 0363 | 26.1 | 10.5 | 10.5 | 36.5 | 14.5 | 11 | 6 | = | = | 4 |
| 0352 | 28 | 12 | 10.5 | 38 | 15.5 | 11 | 6 | = | = | 4 |
| 0362 | 28.4 | 10.6 | 10.5 | 36.5 | 14.5 | 11 | 6 | = | = | 4 |
| 0335 | 28.5 | 14.5 | 10.5 | 41 | 21 | 11 | 6 | = | = | 5 |
| 0361.1 DX | 28.6 | 14 | 10.5 | 36.5 | 14 | 11 | 6 | 10.4 | 18.2 | 4 |
| 0361.2 SX | 28.6 | 14 | 10.5 | 36.5 | 14 | 11 | 6 | 18.2 | 10.4 | 4 |
| 0367 | 31.9 | 10.3 | 10.5 | 38 | 12 | 11 | 6 | = | = | 4 |
| 0315 | 32 | 17.4 | 10.5 | 39 | 21 | 11 | 6 | = | = | 5 |
| 0356 | 32 | 10.6 | 10.5 | 36.5 | 14.5 | 11 | 6 | = | = | 4 |
| 0398 | 33.7 | 13.5 | 10.5 | 41 | 21 | 11 | 6 | = | = | 5 |
| 0355 | 35.4 | 10.6 | 10.5 | 36.5 | 14.5 | 11 | 6 | = | = | 4 |
| 0359 | 35.6 | 8.2 | 9.5 | 33 | 11 | 11 | 6 | = | = | 4 |
| 0334 | 35.8 | 13.5 | 10.5 | 41 | 21 | 11 | 6 | = | = | 5 |
| 0334.1 # | 35.8 | 13.5 | 10.5 | 41 | 21 | 11 | 6 | = | = | 5 |
| 0334.2 | 35.8 | 13.5 | 8 | 42 | 14.5 | 14 | 6 | = | = | 5 |
| 0343 | 35.8 | 14.7 | 10.5 | 41 | 21 | 11 | 6 | = | = | 5 |
| 0345 | 35.8 | 24 | 10.5 | 41 | 20 | 11 | 6 | = | = | 5 |
| 0348 | 35.8 | 30.5 | 10.5 | 41 | 21 | 11 | 6 | = | = | 5 |
| 0350 | 35.8 | 35 | 10.5 | 41 | 21 | 11 | 6 | = | = | 5 |
| 0365 | 35.8 | 14.3 | 10.5 | 41 | 21 | 11 | 6 | = | = | 5 |
| 0342 | 35.9 | 9.9 | 10.5 | 36 | 11 | 11 | 6 | = | = | 4 |
| 0346 | 35.8 | 24.8 | 10.5 | 40 | 21 | 11 | 6 | = | = | 5 |
| 0349 | 35.8 | 29.2 | 10.5 | 41 | 21 | 11 | 6 | = | = | 5 |
| 0351.2 | 37 | 13.8 | 10.5 | 41 | 21 | 11 | 6 | 13.8 | 23.2 | 5 |
| 0312.1 DX | 37 | 15.7 | 10.5 | 39.8 | 20 | 11 | 6 | 22.3 | 14.7 | 5 |
| 0312.2 SX | 37 | 15.7 | 10.5 | 39.8 | 20 | 11 | 6 | 14.7 | 22.3 | 5 |
| 0311 | 40.5 | 9.9 | 10.5 | 36 | 14.5 | 11 | 6 | = | = | 4 |



con dado | with nut