



EMPIRE

MOVIMENTAZIONE BIDIREZIONALE FACCIATA



Movimentazione bidirezionale facciata | Bi-directional gearbox for curtain wall | Mouvement bi-directionnel pour façade | Mecanismo bidireccional para muro cortina



Cassa in POM; rotore in zama; Copricassa, cremagliere, pioli, viti, camme e dadi quadri in Acciaio inox.



Case in POM; Rotor in Zamak; Cover case, racks, pins, screws, cams and square nuts in stainless steel.



Caisse en POM; Rotor en zamak; couvre-caisse, crémaillères, vis, cammes et écrous carrés en acier inox.

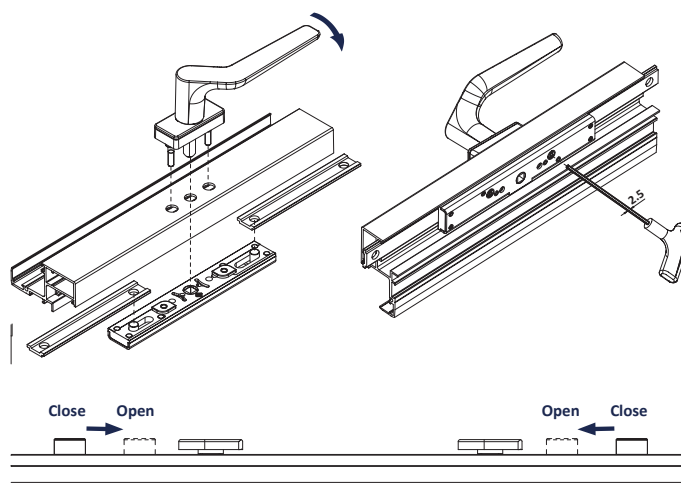
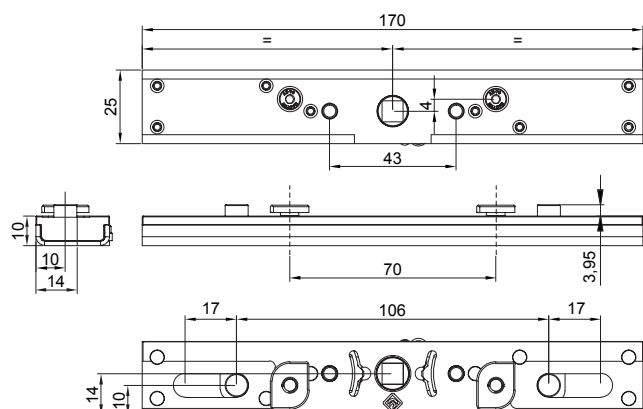


Caja de POM; rotor de zamac; cobertura de la caja, cursores, pernios, tornillos, levas y tuercas cuadradas de acero inoxidable.

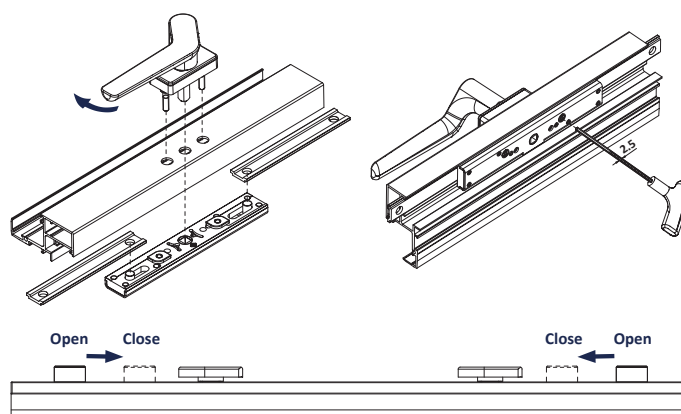
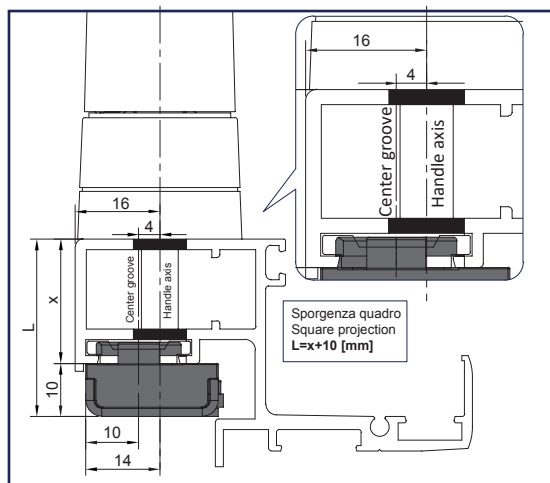


ART.	3633 - 3633S			
Imballo Package Conditionnement Embalaje	20 Cp			
Finiture disponibili Available finishes Finitions disponibles Acabados disponibles	1	2	3	4

Art. 3633
 Istruzioni di montaggio con maniglia destra
 Installations instructions with right handle



Art. 3633S
 Istruzioni di montaggio con maniglia sinistra
 Installations instructions with left handle

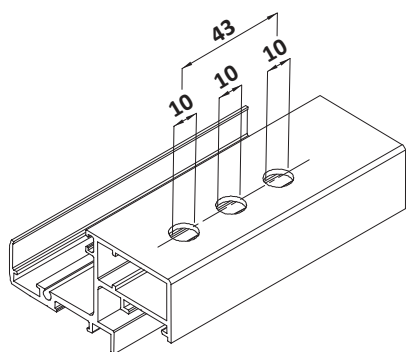




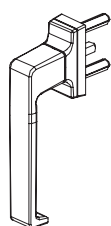
EMPIRE

MARTELLINE

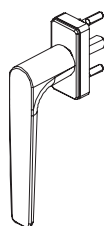
Martelline | Handles | Martelet | Manetas



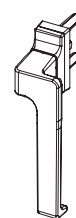
3072.X



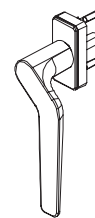
3100.X



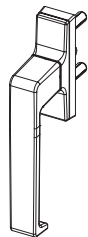
3077.XS
3077.XD



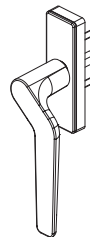
3102.XS
3102.XD



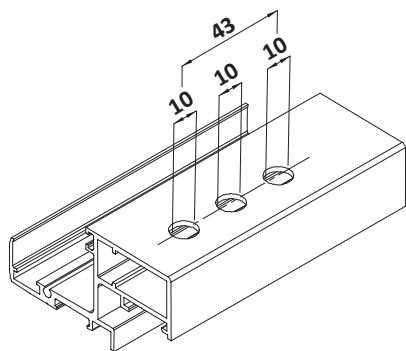
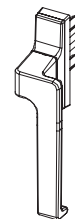
3073.X



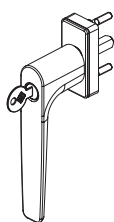
3104.X



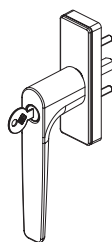
3078.XS
3078.XD



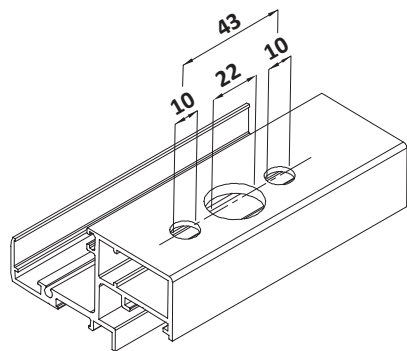
3101.X



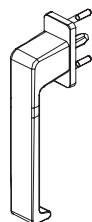
3105.X



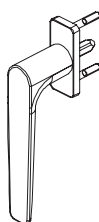
E' possibile abbinare anche
 le martelline KARMA con chiave
 It's possible to combine also
 with KARMA handle with key



3090.3X



3091.3X



3091.3XS
3091.3XD

