



# KARMA

## MARTELLINA RIBASSATA



Martellina ribassata | Reduced handle |  
Béquille à poignée - baissée | Maneta rebajada



Manico, cassa e cover  
in zama; perno, viti  
e molle in acciaio  
zincato; rondelle in  
derlin.



Handle, case and  
cover in zamak; pin,  
screws and springs  
in galvanized steel;  
derlin washers.



Manche, caisse et  
cover en zamak;  
pivot, vis et ressorts  
en acier zingué;  
rondelles en derlin.

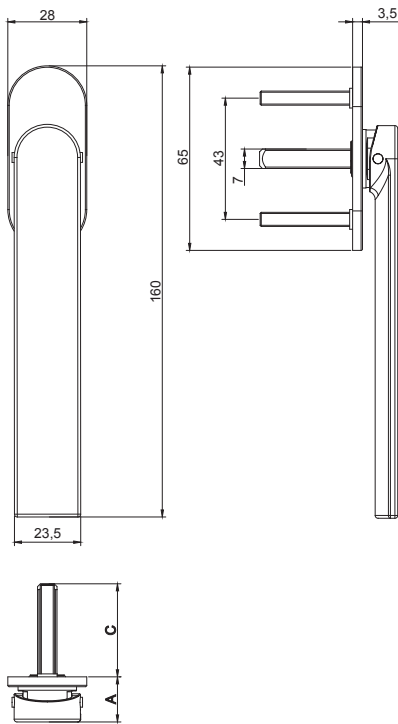


Mango, caja y tapa  
en zamak; pasador,  
tornillos y resortes de  
acero galvanizado;  
arandelas derlin.

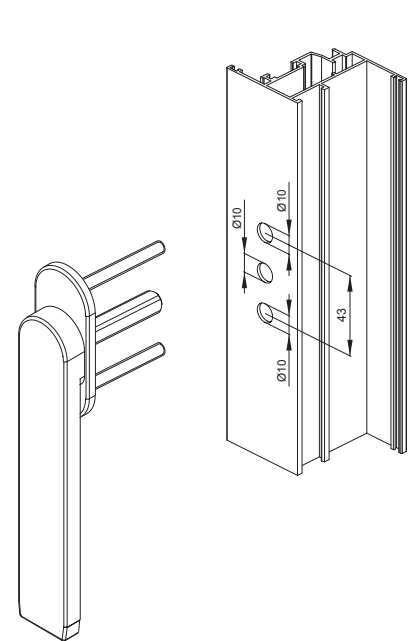
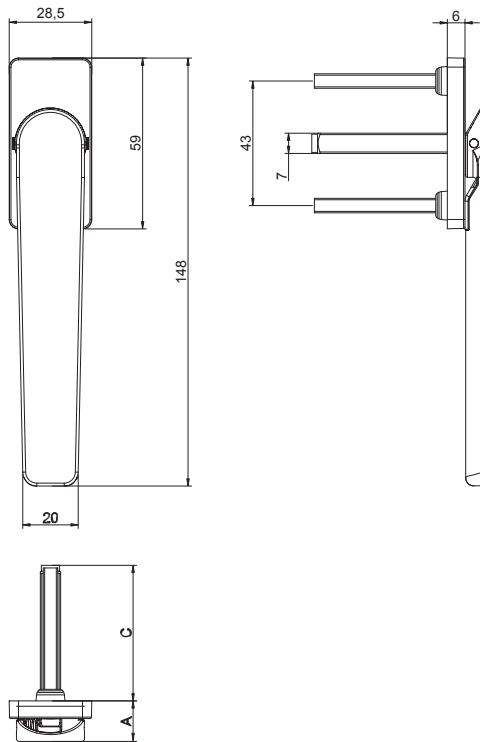



ART.	3106   3106.30 3106.31
Imballo   Package   Conditionnement   Embalaje	5 Pz
Finiture disponibili   Available finishes Finitions disponibles   Acabados disponibles	1 2 3 4

Art. 3106



Art. 3106.30 | 3106.31



DESCRIZIONE DESCRIPTION	ART.	A	C	NODO SECTION 
KARMA - Martellina ribassata per apertura interna ed esterna KARMA - Reduced handle for inward and outward opening	3106	16	33	A30
	3106.30	14	45	A31
	3106.31	14	36	A30