



ITALIA MARTELLINA



Martellina | Handle
Bequille a poignee | Maneta



Manico in alluminio pressofuso, cassa, copricassa e rotore in zama, viti e perno in acciaio.



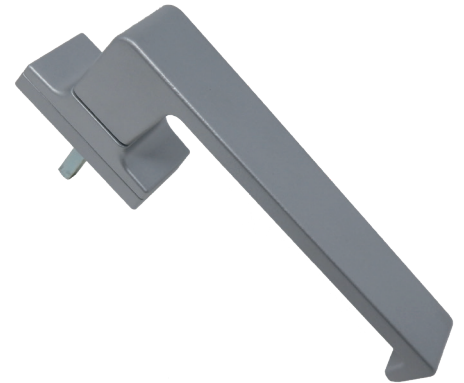
Die-cast aluminium handle. Body, case and rotor in zamak steel screws and pin.



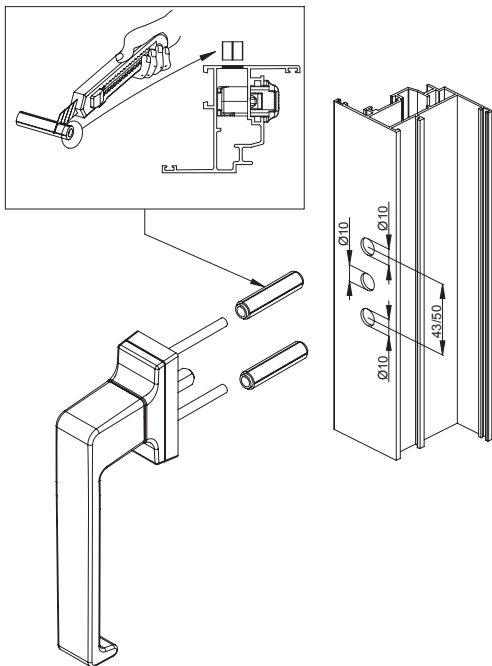
Béquille en aluminium moulées sous pression; caisse, couvre-caisse et rotor en zamak vis et pivot en acier.



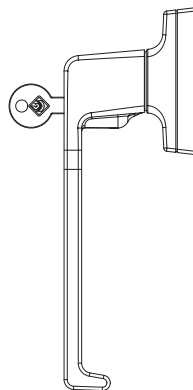
Mango de aluminio de fundición; caja, cobertura de caja y rotor de zamak tornillos y pernio en acero.



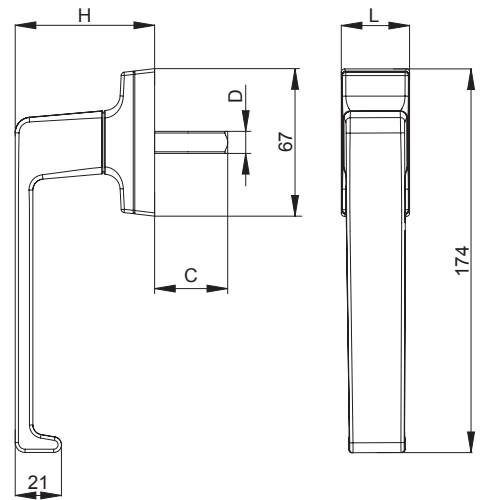
ART.	3072 3072.1 3077.25 3077.2 3077.3 3072.15	3072.10
Imballo Package Conditionnement Embalaje	5 Pz	2 CP
Finiture disponibili Available finishes Finitions disponibles Acabados disponibles	1 2 3 4	1 2 3 4



Art. 3077.2



Art. 3072 | .1 | .5



	DESCRIZIONE DESCRIPTION	ART.	L	H	C	D
	"ITALIA" Martellina "ITALIA" Handle	3072	31	63.5	26mm	7
	"ITALIA" Martellina "ITALIA" Handle	3072.1	31	63.5	46mm	7
	"ITALIA" Doppia martellina "ITALIA" Double handle	3072.10	31	63.5	Max 64	7
	"ITALIA" Martellina senza perno "ITALIA" Handle without pin	3072.15	31	63.5	-	-
	Martellina "ITALIA" con cilindro "ITALIA" handle with key	3077.2	31	63.5	26mm	7
	Martellina "ITALIA" con cilindro "ITALIA" handle with key	3077.3	31	63.5	46mm	7
	Martellina "ITALIA" logica DX - SX "ITALIA" handle for tilt before turn	3077.25	31	63.5	26mm	7

Art. 3072.10

