



COMFORT MINI

MARTELLINA RIDOTTA

Martellina | Handle
Bequille a poignee | Maneta



Manico in alluminio pressofuso; cassa, copricassa e rotore in zama; boccole antifrizione in delrin, perno e viti in acciaio.



Die-cast aluminum handle; zamak body, case and rotor; delrin low-friction bushing, steel screws and pin.



Béquille en aluminium moulé sous pression; caisse, couvre-caisse et rotor en zamak; bagues anti-friction en delrin, vis et pivot en acier.



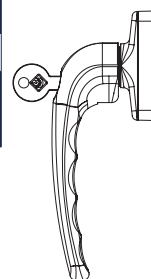
Mango de aluminio fundido a presión; caja, cobertura de caja y rotor de zamak; casquillos antifricción de delrin, tornillos y pernio en acero.



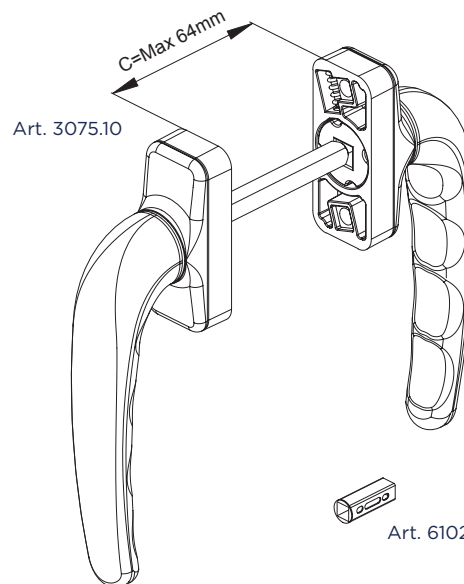
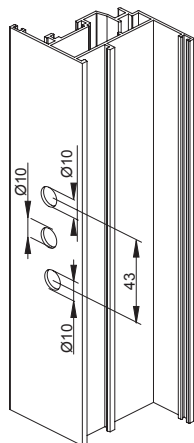
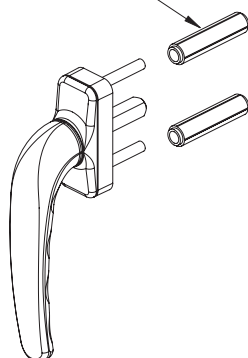
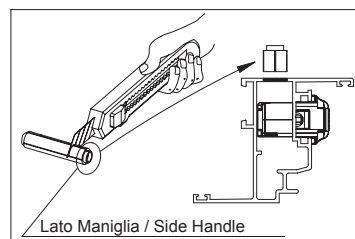
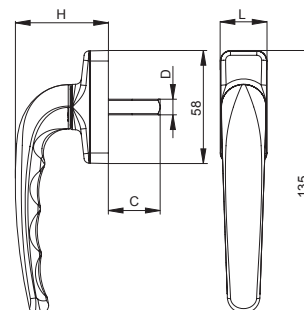
ART.	3075 3075.1 3075.2 3075.3 3075.20 3075.21 3075.22 3075.22 3075.10**	3075.10 3066.1
Imballo Package Conditionnement Embalaje	*20 5 Pz **2 Cp	15 5 Cp
Finiture disponibili Available finishes Finitions disponibles Acabados disponibles	1 2 3 4	1 2 3 4

* Le confezioni delle cremonesi e delle martelline sono da 20 pezzi, ad esclusione delle versioni in finiture speciali e vintage "OLD" che sono da 5 pezzi.
* Cremone bolts and handles come in packages of 20, except for versions in special and "OLD" vintage finishes that are in packages of 5.

Art. 3075.2X



Art. 3075



Art. 6102.22

DESCRIZIONE DESCRIPTION	ART.	L	H	C	D
"COMFORT MINI" Martellina ridotta "COMFORT MINI" Reduced handle	3075	24	48	30	7
"COMFORT MINI" Martellina ridotta "COMFORT MINI" Reduced handle	3075.1	24	48	50	7
"COMFORT MINI" Martellina ridotta "COMFORT MINI" Reduced handle	3075.2	24	48	70	7
"COMFORT MINI" Martellina ridotta "COMFORT MINI" Reduced handle	3075.3	24	48	89	7
"COMFORT MINI" Martellina ridotta con cilindro "COMFORT MINI" Reduced handle with key	3075.20	24	48	30	7

DESCRIZIONE DESCRIPTION	ART.	L	H	C	D
"COMFORT MINI" Martellina ridotta con cilindro "COMFORT MINI" Reduced handle with key	3075.21	24	48	50	7
"COMFORT MINI" Martellina ridotta con cilindro "COMFORT MINI" Reduced handle with key	3075.22	24	48	70	7
"COMFORT MINI" Martellina ridotta con cilindro "COMFORT MINI" Reduced handle with key	3075.23	24	48	89	7
"COMFORT MINI" Doppia Martellina ridotta "COMFORT MINI" Reduced double handle	3075.10	24	48	Max 64	7
"COMFORT MINI" Doppia Martellina ridotta con adattatore 7 / 8mm "COMFORT MINI" double handle with spindle adaptor 7 / 8mm	3066.1	24	48	Max 64	8