



COMFORT

MARTELLINA CON MANICO DISASSATO



Martellina con manico disassato | Handle |
Bequille a poignee | Maneta



Manico, cassa,
copricassa e rotore
in zama; boccole
antifrizione in
Derlin, perno e viti in
acciaio.



Zamak handle, body,
case and rotor; Derlin
low-friction bushing,
steel screws and pin.



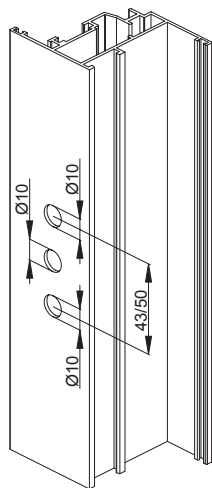
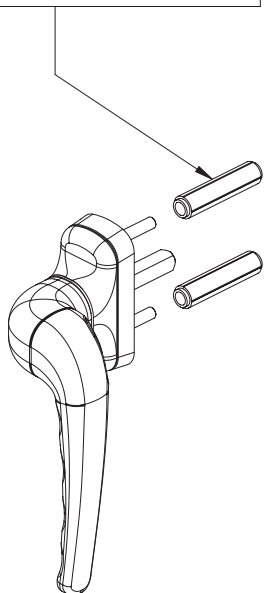
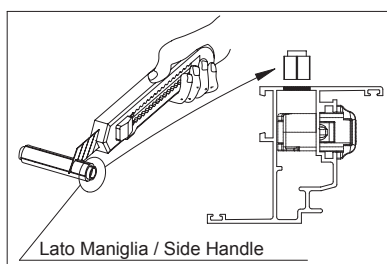
Béquille, caisse,
couvre-caisse et rotor
en zamak; bagues
anti-friction en Derlin,
vis et pivot en acier.



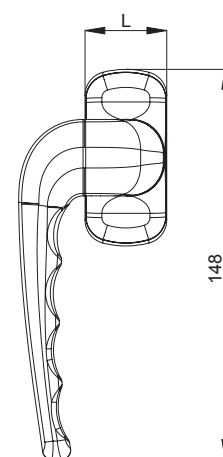
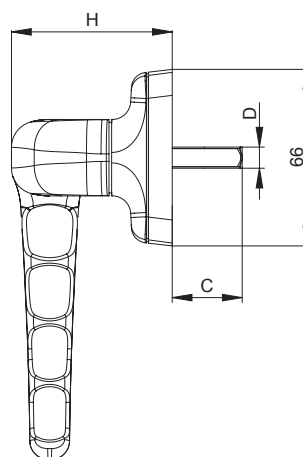
Mango, caja,
cobertura de caja
y rotor de zamak;
casquillos antifricción
de Derlin, tornillos y
pernio en acero.



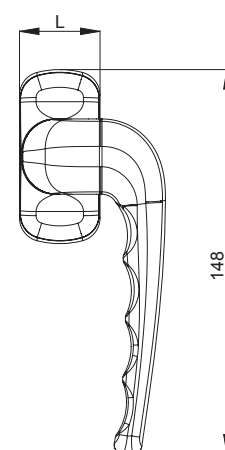
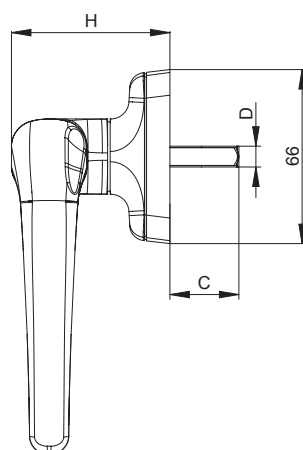
ART.	A3076.X			
Imballo Package Conditionnement Embalaje	5 Pz			
Finiture disponibili Available finishes Finitions disponibles Acabados disponibles	1	2	3	4



Art. 3076D



Art. 3076S



DESCRIZIONE DESCRIPTION	ART.	L	H	C	D
Martellina "COMFORT" disassata DX Handle "COMFORT"	3076D	31	61	26	7
Martellina "COMFORT" disassata SX Handle "COMFORT" with key	3076S	31	61	26	7
Martellina "COMFORT" disassata DX Handle "COMFORT"	3076.1D	31	61	46	7
Martellina "COMFORT" disassata SX Handle "COMFORT" with key	3076.1S	31	61	46	7