



COPRICILINDRO

KARMA - ITALIA - COMFORT



Copricilindro | Cylinder cover
Kit cache cylindre | Cobertura cilindro



Copricilindro in nylon;
cover in zama; viti in
acciaio zincato.



Nylon cylinder
cover; zamak cover;
galvanized steel
screws.



Kit cache cylindre
en nylon; couverture
gâche en zamak; vis
en acier zingué.

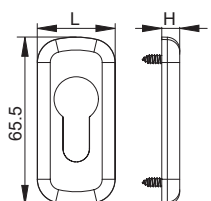


Cobertura cilindro ed
nylon; caja de zamak;
tornillos de acero
galvanizado.

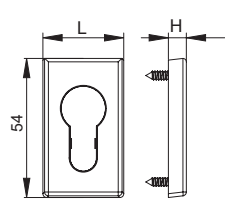


ART.	2129.4 2129.5 2129.10 2129.1				2128			
Imballo Package Conditionnement Embalaje	20 PZ				500 PZ			
Finiture disponibili Available finishes Finitions disponibles Acabados disponibles	1	2	3	4	1	2	3	4

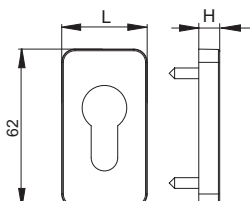
Art. 2129.5
(sistema antisfilamento)



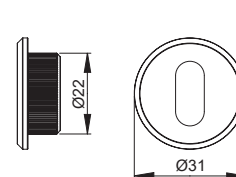
Art. 2129.4
(sistema antisfilamento)



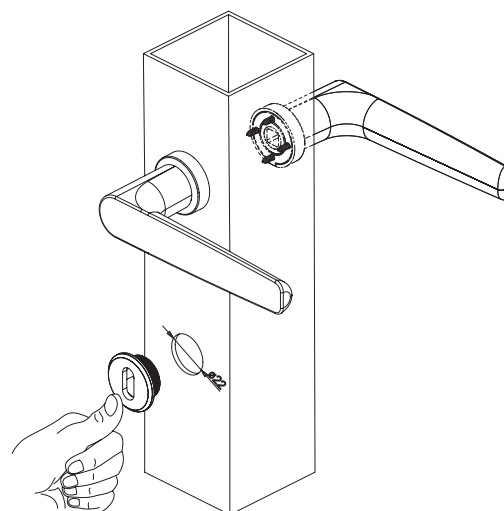
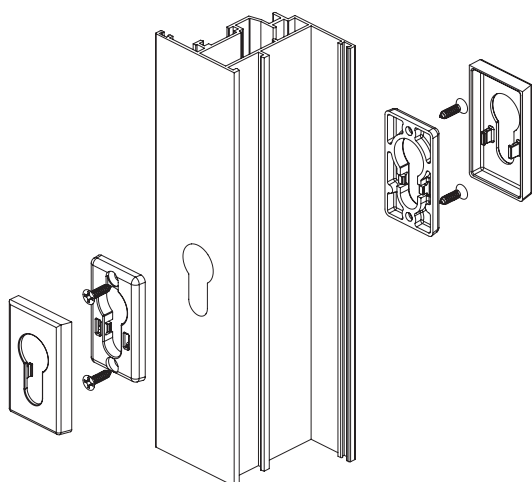
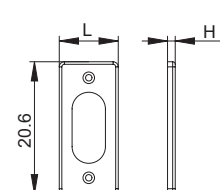
Art. 2129.10



Art. 2129.1



Art. 2128



DESCRIZIONE DESCRIPTION	ART.	H	L
Copricilindro ovale in nylon Nylon oval cylinder cover	2128	3	23
"ITALIA" Copricilindro di sicurezza sagomato in zama "ITALIA" Zamak security shaped cylinder cover	2129.4	7	31.5

DESCRIZIONE DESCRIPTION	ART.	H	L
"COMFORT" Copricilindro di sicurezza sagomato in zama Zamak shaped security cylinder cover	2129.5	7	31.5
"MINIMAL DESIGN" Copricilindro sagomato "MINIMAL DESIGN" Shaped cylinder cover	2129.10	8,2	33,5
"MINIMAL DESIGN" Copricilindro per porte interne "MINIMAL DESIGN" Cylinder cover for interior doors	2129.1		Ø31