



WEEN HIDE 110

CERNIERA SUPERIORE



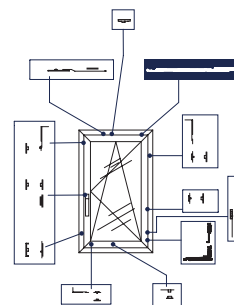
Cerniera a scomparsa con braccio regolabile per A/R e A/R logica |
Concealed Hinge with adjustable arm for T&T and logic T&T |
Paumelle invisible avec bras réglable pour O/B et logique |
Bisagra oculta con compás de regulación para O/B y O/B lógica

Leve in acciaio, corpo di regolazione in zama.
Portata massima: 120 Kg - 150 Kg in abbinamento a 3310.50

Levers in stainless steel, fixing -set zamak body.
Maximum load : 120kgs- 150Kgs combined with 3310.50

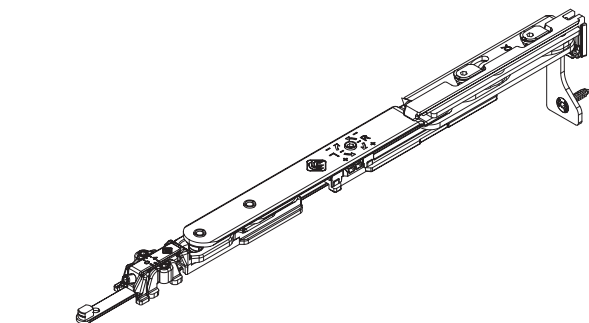
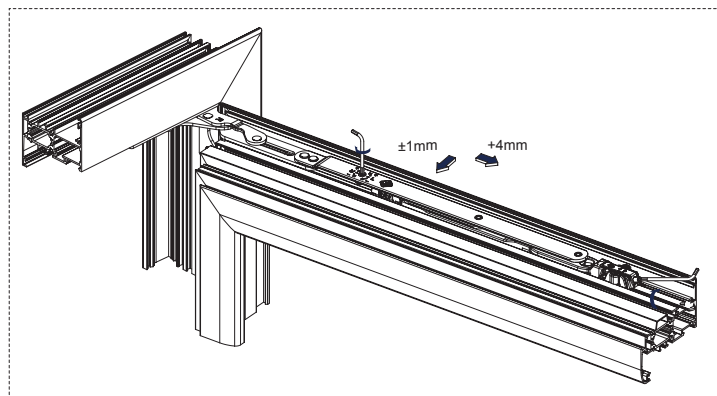
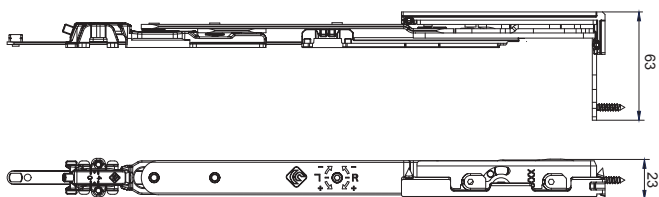
Leviers en acier, corps de réglage en zamak. Portée: 120 kgs- 150 kgs, à assortir avec 3310.50

Levas de acero, cuerpo de regulación de zamak. Soporta hasta: 120 kgs- 150 kgs, se combina con 3310.50

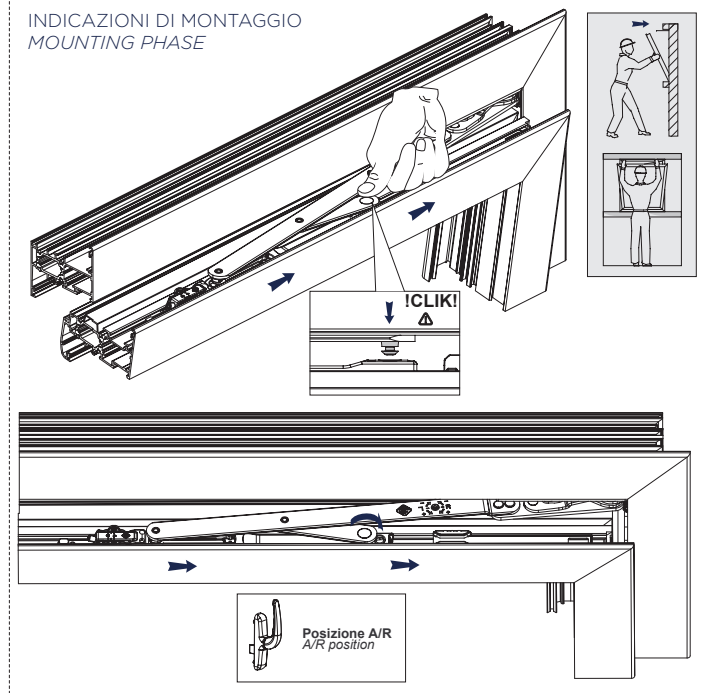


ART.	3312.20S/D 3312L.20S/D 3311.20S/D 3311L.20S/D	3312.21S/D 3312L.21S/D 3311.21S/D 3311L.21S/D
Imballo Package Conditionnement Embalaje	5 Pz	5 Pz
Finiture disponibili Available finishes Finitions disponibles Acabados disponibles	2 3 4	2 3 4

REGOLAZIONI | ADJUSTEMENT



INDICAZIONI DI MONTAGGIO MOUNTING PHASE



DESCRIZIONE DESCRIPTION	ART.	NODO SECTION
L anta da 430mm a 560mm* L sash from 430mm to 560mm*	3312.20S/D 3312L.20S/D	A01 - A02
L anta da 561mm a 1700mm* L sash from 561mm to 1700mm*	3312.21S/D 3312L.21S/D	A01 - A02
L anta da 430mm a 560mm* L sash from 430mm to 560mm*	3311.20S/D 3311L.20S/D	A03
L anta da 561mm a 1700mm* L sash from 561mm to 1700mm*	3311.21S/D 3311L.21S/D	A03

* Braccio con aggancio antieffrazione
* Arm with anti-burglar connection