



KARMA

DOPPIA MANIGLIA RIBASSATA



Doppia maniglia ribassata | Double reduced handle
Bequille double baissée | Manilla doble rebajada



Manico in alluminio pressofuso, manico ribassato in zama, cassa, rotore e copricassa in zama, boccole in derlin, perno e viti in acciaio.



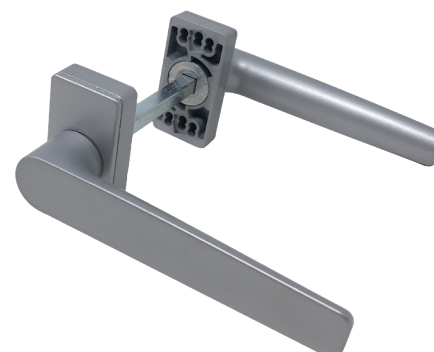
Die-cast aluminium handle, zamak reduced handle, body, rotor and body cover in zamak, delrin bushings, stainless steel pin and screws.



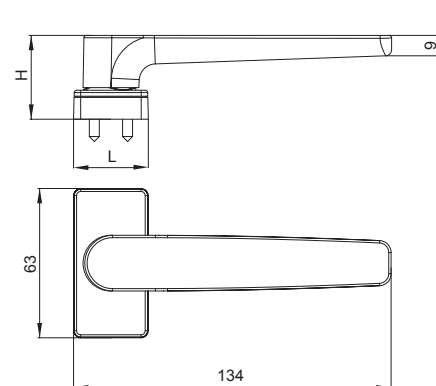
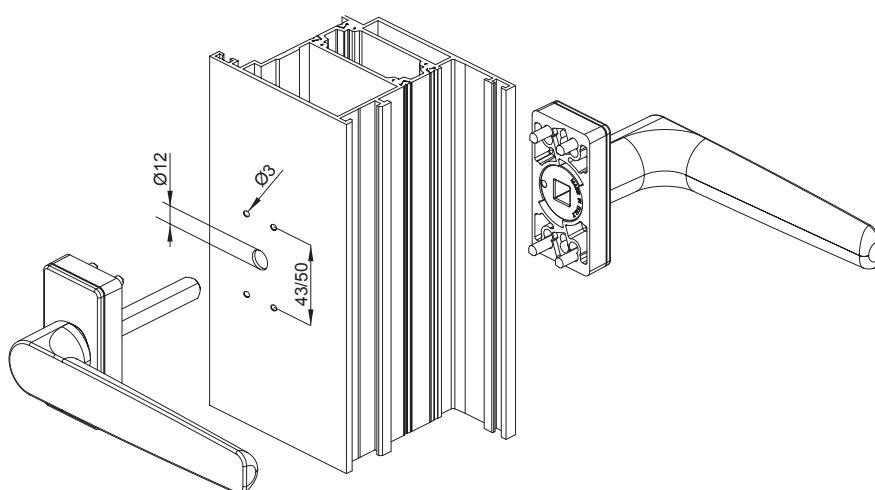
Poignée en aluminium coulé, poignée baissée en zamak, caisse, couvre-caisse et rotor en zamak; bagues en derlin, pivot et vis en acier.



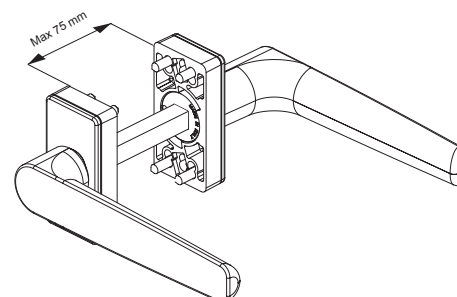
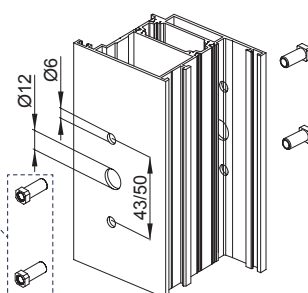
Mango de aluminio moldeado a presión, mango rebajado de zamak, caja, rotor y cubrecaja de zamak, casquillos de derlin, perno y tornillos de acero.



ART.	3068 3068.1			
Imballo Package Conditionnement Embalaje	5 CP			
Finiture disponibili Available finishes Finitions disponibles Acabados disponibles	1	2	3	4



Art. 3060.7



DESCRIZIONE DESCRIPTION	ART.	L	H
KARMA - Doppia maniglia ribassata KARMA - Double reduced handle	3068	31.5	35

DESCRIZIONE DESCRIPTION	ART.	L	H
KARMA - Doppia maniglia ribassata da entrambi i lati KARMA - double reduced handle on both sides	3068.1	31.5	35