



WEEN

BRACCIO SUPPLEMENTARE PER ANTA RIBALTA



Braccio supplementare per anta ribalta | Tilt and turn additional arm
Bras supplémentaire oscillo-battant | Compás suplementario oscilobatiante



Leve, viti e grani in acciaio inox, corpo in zama.



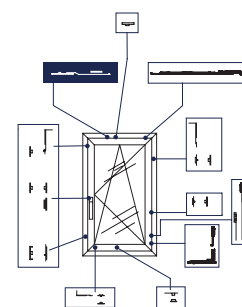
Levers, screw and setscrews in stainless steel, zamak body.



Leviers, vis et grains en acier inox, corps en zamak.

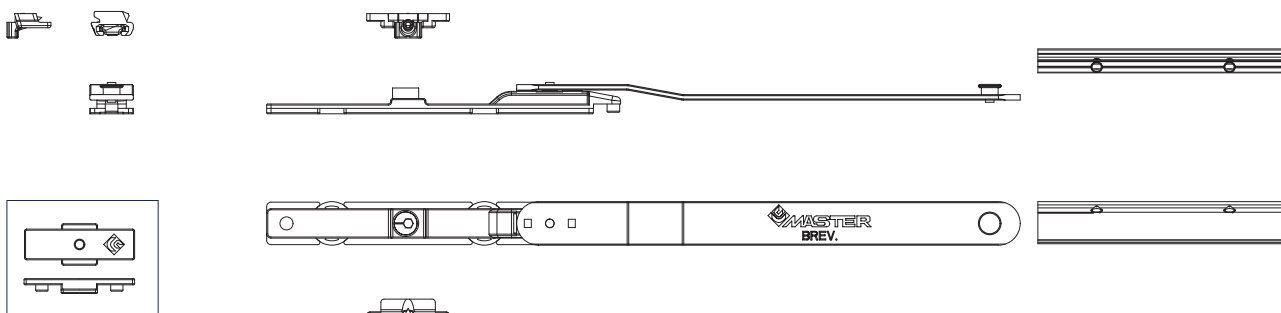


Levas, tornillos y prisioneros de acero inox, cuerpo de zamac.



ART.	3520.30 3400G.30 3550L.30 3400LG.30		
Imballo Package Conditionnement Embalaje	5 Pz		
Finiture disponibili Available finishes Finitions disponibles Acabados disponibles	2	3	4

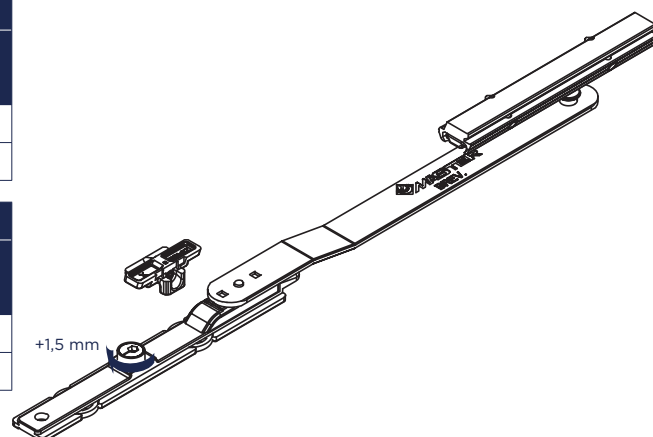
LARGHEZZA L > 1200
WIDTH L > 1200



In aggiunta nella versione LOGICA
Additional in LOGIC version

ANTA RIBALTA TILT AND TURN			
	DESCRIZIONE DESCRIPTION	ART.	NODO SECTION
WEEN	L anta da 1200mm a 1700mm L sash from 1200mm to 1700mm	3520.30	A01 - A05 - A20 - A21 - A22
		3400G.30	A03

LOGICA TILT BEFORETURN			
	DESCRIZIONE DESCRIPTION	ART.	NODO SECTION
WEEN	L anta da 1200mm a 1700mm L sash from 1200mm to 1700mm	3550L.30	A01 - A05 - A20 - A21 - A22
		3400LG.30	A03



REGOLAZIONI | ADJUSTEMENT

3520.30

FORATURA ASTINE
MACHINING OF THE RODS (HOLES)

ANTA SASH

Art. 3520.22 - A/R 2.0
Art. 3400.22 - A/R WEEN

A/R - 3550A/3520
A/R - WEEN - 3420X

TELAIO FRAME