



KARMA

DOPPIA MANIGLIA



Doppia maniglia minimal design | Minimal design double handle
Bequille double design minimaliste | Manilla doble de diseño minimal



Manico in alluminio pressofuso; Rotore, cassa e cover in zama; Rondella in derlin; Molla, grano e perno in acciaio zincato; viti in acciaio inox.



Die-cast aluminum handle; Rotor, case and cover in zamak; Derlin washer; Spring, grub screw and pin in galvanized steel; screws in stainless steel.



Poignée en aluminium moulé sous pression; Rotor, boîtier et couvercle en zamak; Rondelle en Deriin; Ressort, vis sans tête et goupille en acier galvanisé; vis en acier inoxydable.

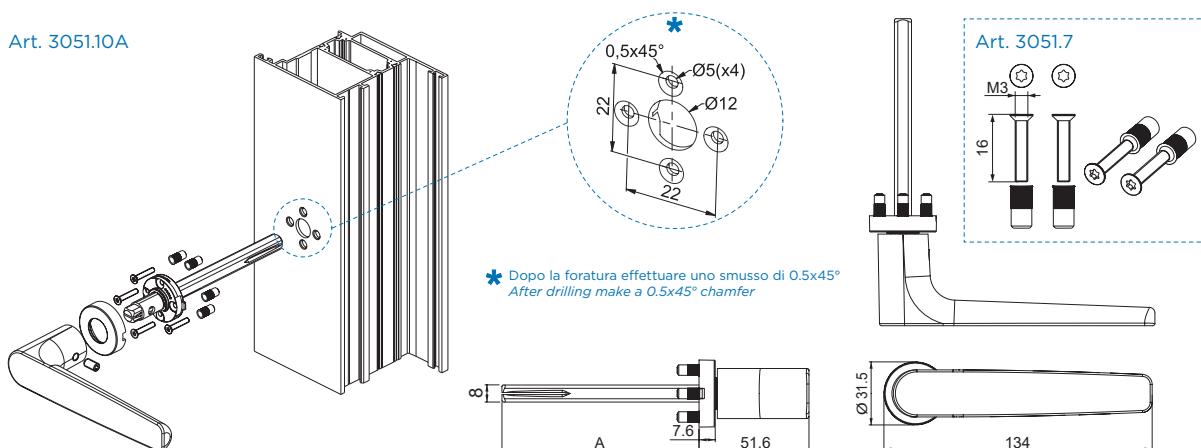


Mango de aluminio de fundición; Rotor, caja y tapa en zamak; Arandela dentada; Muelle, prisionero y pasador en acero galvanizado; tornillería en acero inox.

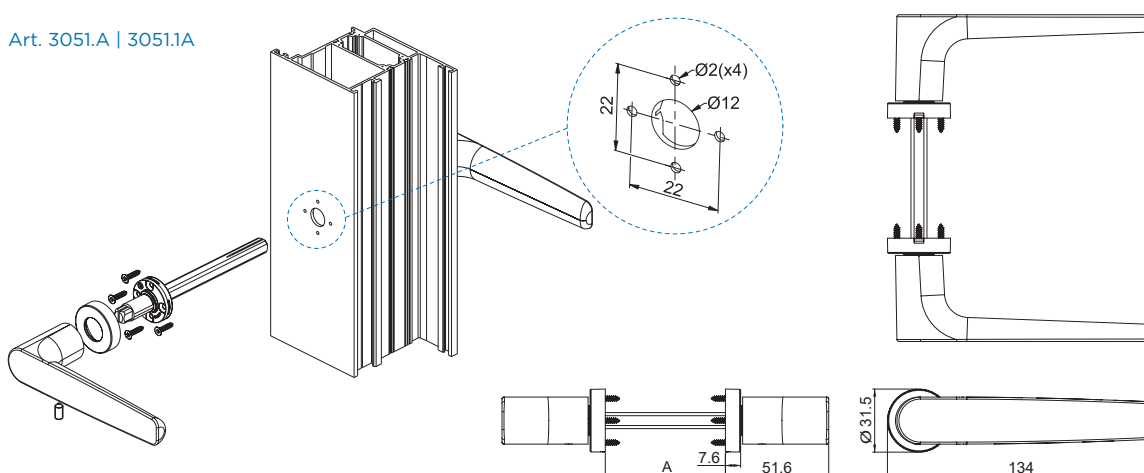


ART.	3051.A 3051.1A				3051.10A				3051.7			
Imballo Package Conditionnement Embalaje	5 Cp				5 Pz				5 Pz			
Finiture disponibili Available finishes Finitions disponibles Acabados disponibles	1	2	3	4	1	2	3	4	1	2	3	4

Art. 3051.10A



Art. 3051.A | 3051.1A



DESCRIZIONE DESCRIPTION	ART.	A min	A max
KARMA Doppia maniglia minimal KARMA Minimal design double handle	3051.A	40mm	60mm
KARMA Doppia maniglia minimal KARMA Minimal design double handle	3051.1A	60mm	80mm

DESCRIZIONE DESCRIPTION	ART.	A min	A max
KARMA - Mezza maniglia minimal design KARMA - Minimal design half handle	3051.10A	-	90mm