



WEEN HIDE 180

GRUPPO CERNIERE ANTA RIBALTA



Kit cerniere a scomparsa per A/R | Concealed hinge kit for T&T |
Kit paumelles invisibles por O/B | Kit bisagras ocultas para O/B



Leve, pioli, camme e supporto angolare telaio in acciaio inox, corpo di regolazione in zama. Portata massima 130kg - 150kg in abbinamento a 3310.51 - 180kg in abbinamento a 3310.50+1211 (con apertura limitata 90°)



Levers, pins, cams, and frame angle support in stainless steel, adjustment body in zamak. Maximum load 130kg - 150kg when combined with 3310.51 - 180kg when combined with 3310.50+1211 (with limited opening 90°)



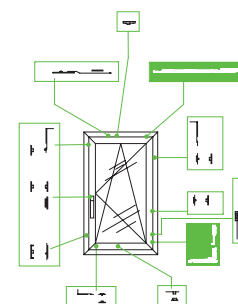
Leviers, goupilles, cammes et support d'angle de cadre en acier inoxydable, corps de réglage en zamak. Charge maximale 130 kg - 150 kg en combinaison avec 3310.51 - 180 kg en combinaison avec 3310.50+1211 (avec ouverture limitée à 90°)



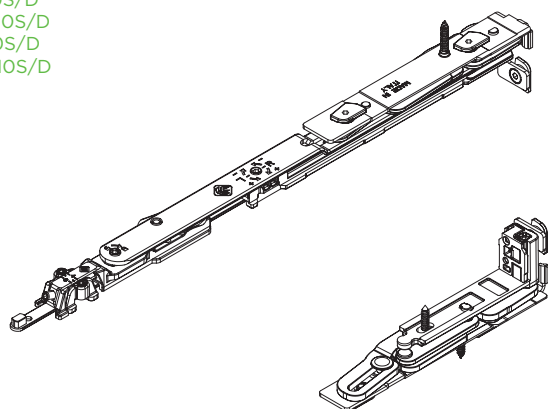
Palancas, pasadores, levas y soporte angular del marco en acero inoxidable, cuerpo de regulación en zamak. Carga máxima 130 kg - 150 kg cuando se combina con 3310.51 - 180 kg cuando se combina con 3310.50+1211 (con apertura limitada a 90°)



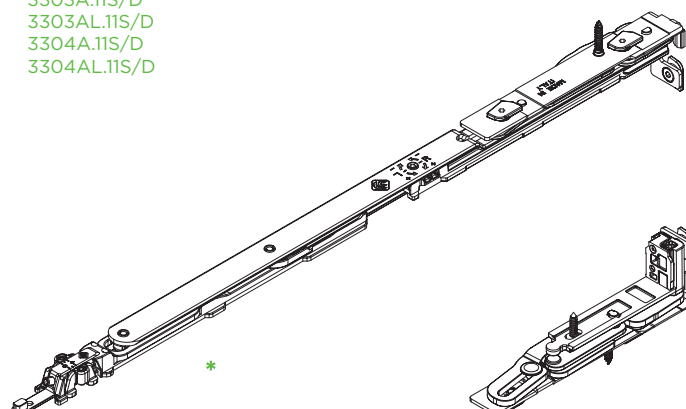
ART.	TUTTI ALL
Imballo Package Conditionnement Embalaje	5 Pz
Finiture disponibili Available finishes Finitions disponibles Acabados disponibles	1 2 3 4



3303A.10S/D
3303AL.10S/D
3304A.10S/D
3304AL.10S/D



3303A.11S/D
3303AL.11S/D
3304A.11S/D
3304AL.11S/D



ART.	DESCRIZIONE DESCRIPTION	TIPO TYPE
3303A.10S/D 3304A.10S/D	L anta da 470mm a 600mm L sash from 470mm to 600mm	Standard
3303AL.10S/D 3304AL.10S/D	L anta da 470mm a 600mm L sash from 470mm to 600mm	Logica Tilt before turn

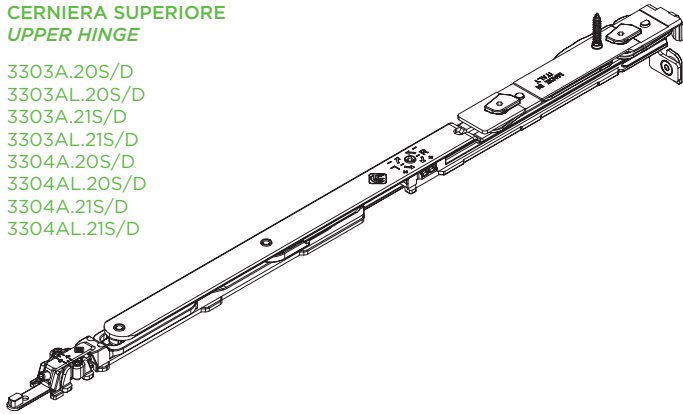
ART.	DESCRIZIONE DESCRIPTION	TIPO TYPE
3303A.11S/D 3304A.11S/D	L anta da 601mm a 1500mm L sash from 601mm to 1500mm	Standard
3303AL.11S/D 3304AL.11S/D	L anta da 601mm a 1500mm L sash from 601mm to 1500mm	Logica Tilt before turn

Art.	NODO SECTION	TIPO TYPE
3303A.10S/D 3303A.11S/D	A03	Standard
3303AL.10S/D 33053A.11S/D		Logica Tilt before turn
3304A.10S/D 3304A.11S/D	A01 - A05	Standard
3304AL.10S/D 3304AL.11S/D		Logica Tilt before turn

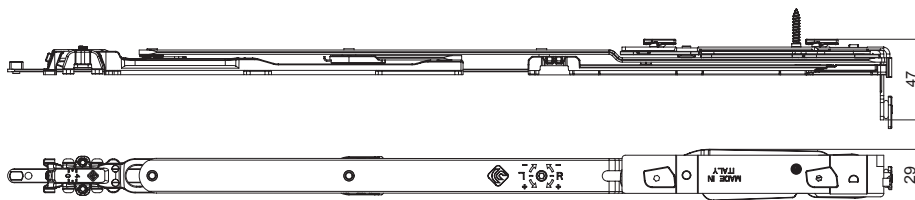
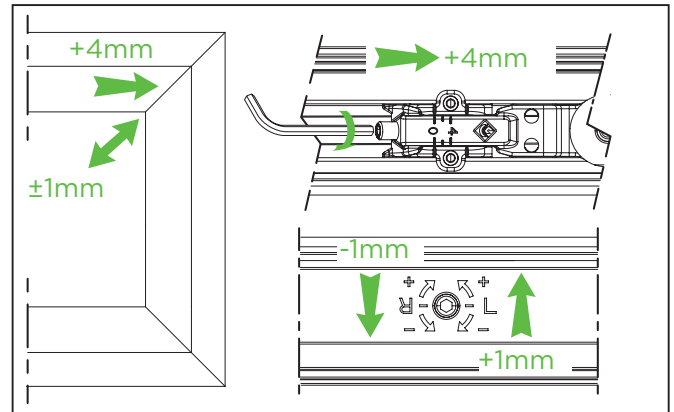


**CERNIERA SUPERIORE
UPPER HINGE**

3303A.20S/D
3303AL.20S/D
3303A.21S/D
3303AL.21S/D
3304A.20S/D
3304AL.20S/D
3304A.21S/D
3304AL.21S/D



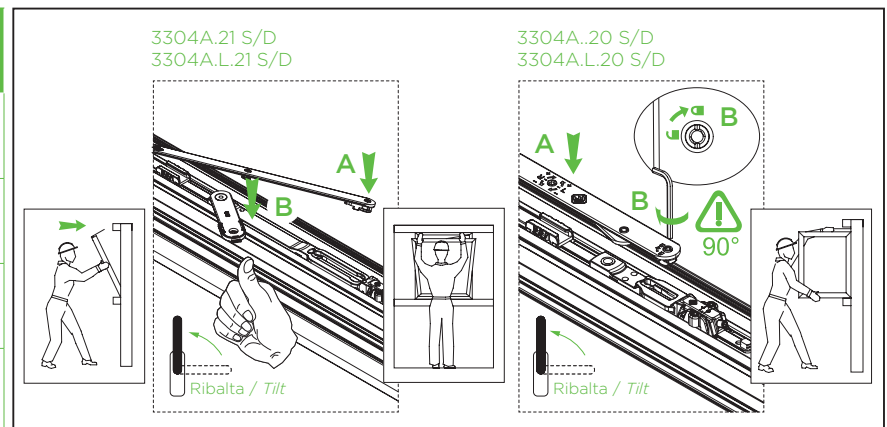
REGOLAZIONI | ADJUSTEMENT



Art.	NODO SECTION
3303A.20S/D 3303AL.20S/D 3303A.21S/D 3303AL.21S/D	A03
3304A.20S/D 3304AL.20S/D 3304A.21S/D 3304AL.21S/D	A01 - A05

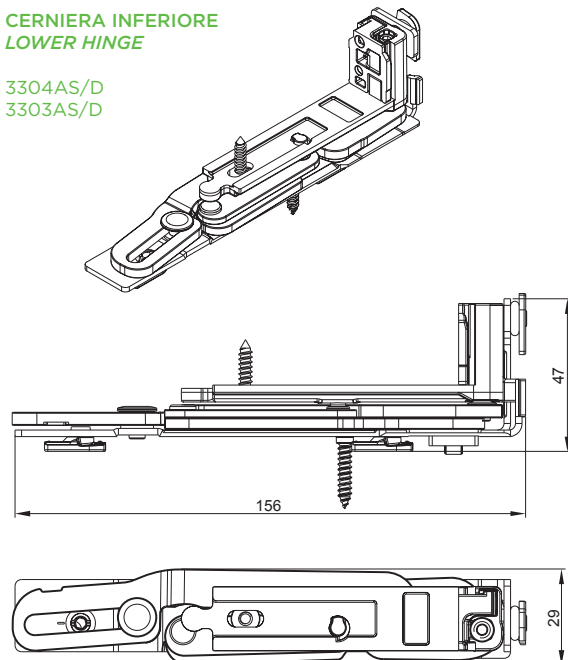
INDICAZIONI DI MONTAGGIO | MOUNTING PHASE

ART.	DESCRIZIONE DESCRIPTION	TIPO TYPE
3304A.20S/D 3303A.20S/D	L anta da 470mm a 600mm L sash from 470mm to 600mm	Standard
3304AL.20S/D 3303AL.20S/D	L anta da 470mm a 600mm L sash from 470mm to 600mm	Logica Tilt before turn
3304A.21S/D 3303A.21S/D	L anta da 601mm a 1500mm L sash from 601mm to 1500mm	Standard
3304AL.21S/D 3303AL.21S/D	L anta da 601mm a 1500mm L sash from 601mm to 1500mm	Logica Tilt before turn

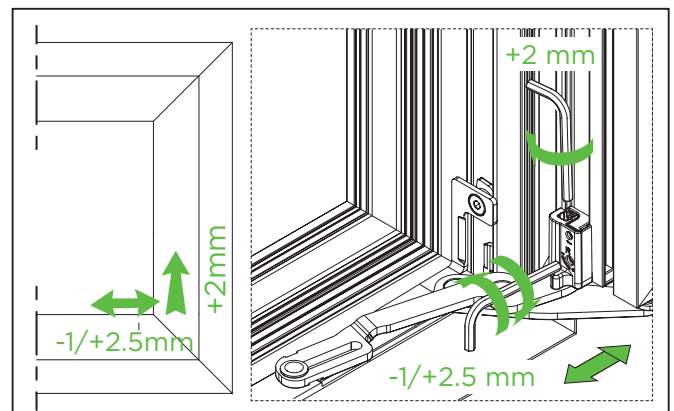


**CERNIERA INFERIORE
LOWER HINGE**

3304AS/D
3303AS/D



REGOLAZIONI | ADJUSTEMENT



Art.	NODO SECTION
3303AS/D	A03
3304AS/D	A01 - A05



DIAGRAMMI DI CARICO

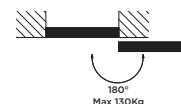
LOAD CHART

TABELLE DI CARICO PER CONFIGURAZIONI MONOANTA
LOAD CHARTS FOR ONE SASH CONFIGURATIONS

130 kg - 180°

⚠ Obbligatorio A3310.51 con soglie ribassate
Mandatory A3310.51 with low threshold

Consigliato A3310.51 per portate > 100 kg e altezze > 2100mm
Recommended A3310.51 with weights > 100kg and height > 2100mm

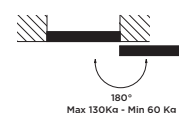


2500	35	33	28	24	21	18	17	15	14	16	15	14
2400	37	35	29	25	22	19	17	16	14	17	15	14
2300	38	36	30	26	23	20	18	16	19	17	16	15
2200	40	38	32	27	24	21	19	17	20	18	17	16
2100	42	40	33	28	25	22	20	23	21	19	18	17
2000	44	42	35	30	26	23	21	24	22	20	19	17
1900	47	44	36	31	27	24	27	25	23	21	20	18
1800	49	46	39	33	29	26	29	26	24	22	21	19
1700	50	49	41	35	31	34	31	28	25	24	22	20
1600	50	50	43	37	33	36	33	30	27	25	23	22
1500	50	50	46	40	43	39	35	32	29	27	25	23
1400	50	50	50	42	46	41	37	34	31	29	27	25
1300	50	50	50	50	50	44	40	36	33	31	29	24
1200	50	50	50	50	50	48	43	39	36	33	28	26
1100	50	50	50	50	50	50	47	43	35	33	30	19
1000	50	50	50	50	50	50	50	43	39	36	22	N.D.
900	50	50	50	50	50	50	50	47	29	18	N.D.	N.D.
800	50	50	50	50	50	50	50	35	N.D.	N.D.	N.D.	N.D.
700	50	50	50	50	50	50	30	N.D.	N.D.	N.D.	N.D.	N.D.
600	50	50	50	50	50	N.D.	N.D.	N.D.	N.D.	N.D.	N.D.	N.D.
550	50	50	50	50	18	N.D.	N.D.	N.D.	N.D.	N.D.	N.D.	N.D.
H \ L	470	500	600	700	800	900	1000	1100	1200	1300	1400	1500

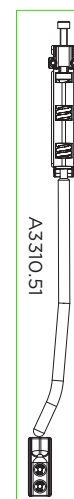


150 kg - 90°

⚠ Obbligatorio A3310.51
Mandatory A3310.51



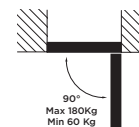
2700	38	36	30	25	22	20	18	16	15	14	16	15
2600	39	37	31	26	23	21	18	17	15	14	16	15
2500	41	38	32	27	24	21	19	17	16	18	17	16
2400	43	40	33	29	25	22	20	18	17	19	18	17
2300	44	42	35	30	26	23	21	19	22	20	19	17
2200	46	44	36	31	27	24	22	20	23	21	19	18
2100	49	46	38	33	29	25	23	26	24	22	20	19
2000	50	48	40	34	30	27	24	27	25	23	21	20
1900	50	50	42	36	32	28	32	29	26	24	23	21
1800	50	50	44	38	33	30	33	30	28	26	24	22
1700	50	50	47	40	35	39	35	32	29	27	25	24
1600	50	50	50	43	38	42	38	34	31	29	27	25
1500	50	50	50	46	50	44	40	36	33	31	29	27
1400	50	50	50	49	50	48	43	39	36	33	31	29
1300	50	50	50	50	50	50	46	42	38	36	33	28
1200	50	50	50	50	50	50	50	45	42	38	32	30
1100	50	50	50	50	50	50	50	50	45	38	35	22
1000	50	50	50	50	50	50	50	50	45	42	26	N.D.
900	50	50	50	50	50	50	50	50	33	21	N.D.	N.D.
800	50	50	50	50	50	50	50	41	N.D.	N.D.	N.D.	N.D.
700	50	50	50	50	50	50	34	N.D.	N.D.	N.D.	N.D.	N.D.
600	50	50	50	50	50	N.D.	N.D.	N.D.	N.D.	N.D.	N.D.	N.D.
550	50	50	50	50	18	N.D.	N.D.	N.D.	N.D.	N.D.	N.D.	N.D.
H \ L	470	500	600	700	800	900	1000	1100	1200	1300	1400	1500



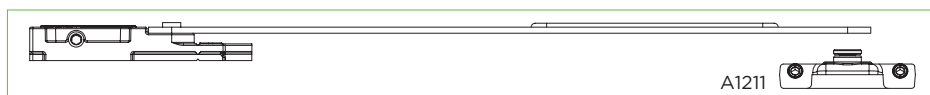


180 kg - 90°

! Obbligatorio A3310.50 + 1211
Mandatory A3310.50 + 1211



3000	41	38	32	27	24	21	19	17	16	
2900	42	40	33	28	25	22	20	18	17	
2800	44	41	34	29	26	23	21	19	17	
2700	45	43	36	30	27	24	21	19	18	
2600	47	44	37	32	28	25	22	20	18	
2500	49	46	38	33	29	26	23	21	19	
2400	50	48	40	34	30	27	24	22	20	
2300	50	50	42	36	31	28	25	23	26	
2200	50	50	44	37	33	29	26	24	27	
2100	50	50	46	39	34	30	27	31	29	
2000	50	50	48	41	36	32	29	33	30	
1900	50	50	50	43	38	34	38	34	32	
1800	50	50	50	46	40	36	40	36	33	
1700	50	50	50	48	42	47	42	39	35	
1600	50	50	50	50	45	50	45	41	38	
1500	50	50	50	50	50	50	48	44	40	
1400	50	50	50	50	50	50	50	47	43	
1300	50	50	50	50	50	50	50	50	46	
1200	50	50	50	50	50	50	50	50	50	
1100	50	50	50	50	50	50	50	50	50	
1000	50	50	50	50	50	50	50	50	50	
900	50	50	50	50	50	50	50	50	40	
800	50	50	50	50	50	50	50	50	49	
700	50	50	50	50	50	50	50	41	X	
600	50	50	50	50	50	50	X	X	X	
550	50	50	50	50	18	X	X	X	X	
H	L	470	500	600	700	800	900	1000	1100	1200



180°
Max 130Kg

180°
Max 150Kg
Min 50Kg

! Obbligatorio A3310.51
Mandatory A3310.51

90°
Max 180Kg
Min 60Kg

! Obbligatorio A3310.50 + 1211
Mandatory A3310.50 + 1211

Per apertura impedita a 180° è obbligatorio braccio limitatore
For windows with 180° restricted opening mandatory use a limiter arm

! A1211 (L>570)

- Es. Anta eseguibile con spessore vetro Max 20mm
Sash size executable with Max glass thickness 20 mm
- N.D. Dimensione non eseguibile
Not feasible