

## MANIGLIONE SAGOMATO

Maniglione sagomato | Single shaped pull handle  
Barre formée unique | Tirador mango moldeado



Maniglione in acciaio inox AISI 316L. Maniglione sagomato, singolo con kit attacco fissaggio doppio incluso.

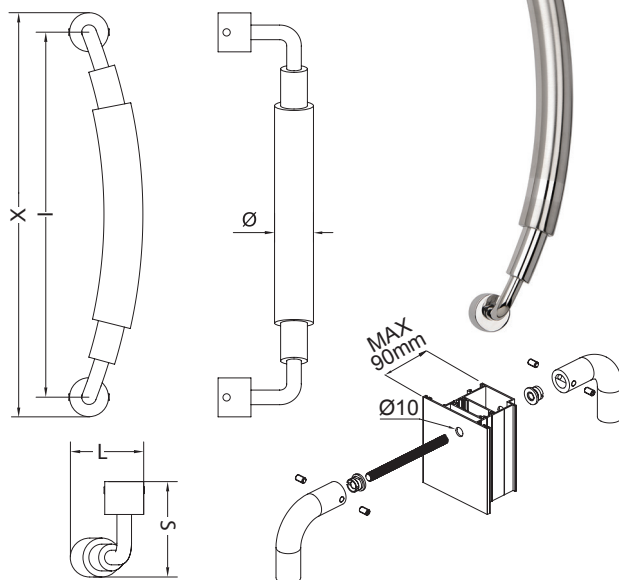
AISI 316L Stainless steel pull handle. Single shaped pull handle. Double fixing kit included.

Barre en acier inox. Barre en acier inox AISI 316L. Barre formée, avec kit de fixation double.

Tirador en acero inoxidable AISI 316L. Mango moldeado, simple con kit de fijación doble incluido.

ART.	5082.1			
Imballo   Package   Conditionnement   Embalaje	2 PZ			
Finiture disponibili   Available finishes Finitions disponibles   Acabados disponibles	1	2	3	4

ART.	Materiale Material	I	L	S	Ø	X	Attacchi Fixing
5082.1	316L	400	60	78	32	430	Inclusi Included
5082A.1	304						



## MANIGLIONE DRITTO

Maniglione dritto | Straight pull handle  
Barre droite unique | Tirador mango recto



Maniglione in acciaio inox AISI 316L. Maniglione dritto, singolo con kit attacco fissaggio doppio incluso.

AISI 316L Stainless steel pull handle. Single Straight pull handle. Double fixing kit included.

Barre en acier inox. Barre en acier inox AISI 316L. Barre droite, avec kit de fixation double.

Tirador en acero inoxidable AISI 316L. Mango recto, simple, con doble kit de fijación incluido.

ART.	5083.1			
Imballo   Package   Conditionnement   Embalaje	2 PZ			
Finiture disponibili   Available finishes Finitions disponibles   Acabados disponibles	1	2	3	4

ART.	Materiale Material	I	L	S	Ø	X	Attacchi Fixing
5083.1	316L	350	82	...	32	382	Inclusi Included
5083A.1	304						

