



TOP RAPID

BLOCCHETTO ANTI SOLLEVAMENTO CERNIERA



Blocchetto anti sollevamento cerniera | Anti-lifting hinge block
Bloc charnière anti-soulèvement | Bloque de bisagras anti-levantamiento



Ala in alluminio estruso, tappo in nylon, piastrina e vite di serraggio M5 TSC CR in acciaio inox.



Wing in extruded aluminum, plug in nylon, plate and fixing screw M5 TSC CR in stainless steel.



Aile en aluminium extrudé, casquette en nylon, plaque et vis de fixation M5 TSC CR en acier inoxydable.

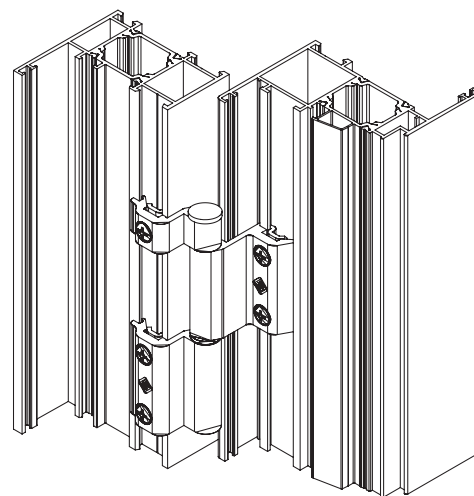
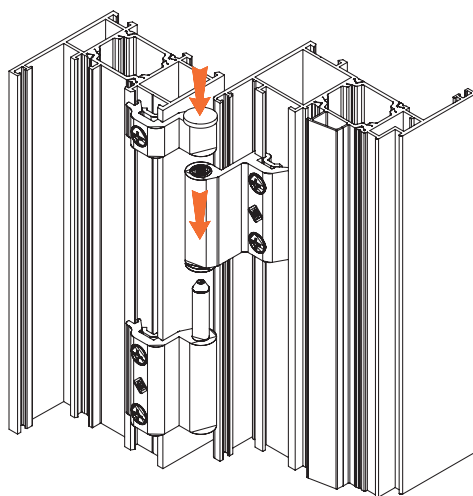
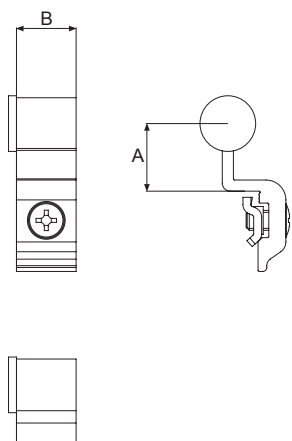


Hoja de aluminio extruido, tapa de nailon, pletina y tornillo de fijación M5 TSC CR en acero inoxidable.



ART.	9211.40 9213.40 9217.40
Imballo Package Conditionnement Embalaje	100 PZ
Finiture disponibili Available finishes Finitions disponibles Acabados disponibles	1 2 3 4

Art. 9211.40 | 9213.40 | 9217.40



Art.	A	B	IN ABBINAMENTO CON / COMBINED WITH	NODO/ SECTION
9211.40	9	15	9211.X	A01
9213.40	17	15	9213.X	A01 - B03 - A20 - A21 - A22
9217.40	18	15	9217.33	A01
9632.40	19	15	9632.X	A08 - A23
9127.40	19	15	9127.X	A01