



MANIGLIONE SAGOMATO

Maniglione sagomato | Single shaped pull handle
Barre formée unique | Tirador mango moldeado



Maniglione in acciaio inox AISI 316L. Maniglione sagomato, singolo con kit attacco fissaggio doppio incluso.



AISI 316L Stainless steel pull handle. Single shaped pull handle. Double fixing kit included.



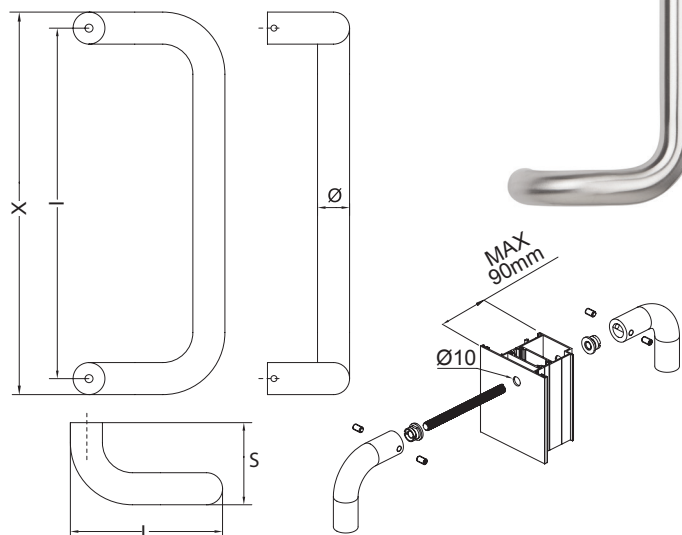
Barre en acier inox. Barre en acier inox AISI 316L. Barre formée, unique, avec kit de fixation double.



Tirador en acero inoxidable AISI 316L. Mango moldeado, simple, con doble kit de fijación incluido.

ART.	5090.1			
Imballo Package Conditionnement Embalaje	2 PZ			
Finiture disponibili Available finishes Finitions disponibles Acabados disponibles	1	2	3	4

ART.	Materiale Material	I	L	S	Ø	X	Attacchi Fixing
5090.1	316L	350	152	82	32	382	Inclusi Included



MANIGLIONE SAGOMATO

Maniglione sagomato | Single shaped pull handle
Barre formée unique | Tirador mango moldeado



Maniglione in acciaio inox AISI 316L. Maniglione sagomato, singolo con kit attacco doppio incluso.



AISI 316L Stainless steel pull handle. Single shaped pull handle. Double fixing kit included.



Barre en acier inox. Barre en acier inox AISI 316L. Barre formée, unique, avec kit de fixation double.



Tirador en acero inoxidable AISI 316L. Mango moldeado, simple, con doble kit de fijación incluido.

ART.	5092.1			
Imballo Package Conditionnement Embalaje	2 PZ			
Finiture disponibili Available finishes Finitions disponibles Acabados disponibles	1	2	3	4

ART.	Materiale Material	I	L	S	Ø	X	Attacchi Fixing
5092.1	316L	500	174	80	32	578	Inclusi Included

