



# KARMA

## MARTELLINA



Martellina | Handle | Martelet | Maneta



Manico in alluminio pressofuso; cassa, copricassa e rotore in zama; boccole antifrizionamento in delrin, perno e viti in acciaio.



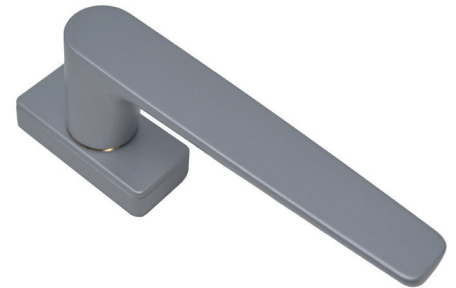
Die-cast aluminium handle, body, body cover and rotor in zamak, screws and pin in steel.



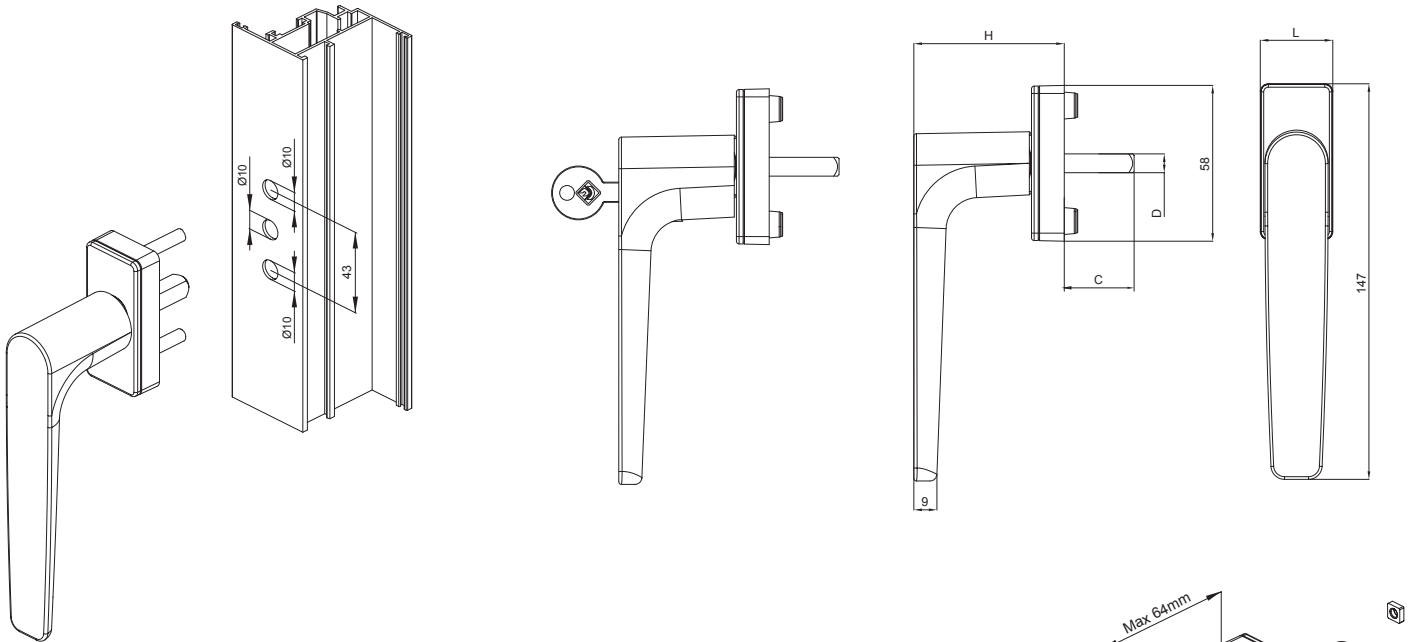
Poignée en aluminium coulé ; caisse, couvre-caisse et rotor en zamak ; pivot et vis en acier.



Mango de aluminio moldeado a presión; caja, cubrecaja y rotor de zamak; tornillos y perno de acero.



ART.	3100   3100.1				3101   3101.1 3101.25				3100.10			
Imballo   Package   Conditionnement   Embalaje	20 Pz				5 Pz				10 Cp			
Finiture disponibili   Available finishes Finitions disponibles   Acabados disponibles	1	2	3	4	1	2	3	4	1	2	3	4



	DESCRIZIONE DESCRIPTION	ART.	L	H	C	D
	KARMA - Martellina KARMA - Handle	3100	27	56	26mm	7
	KARMA - Martellina KARMA - Handle	3100.1	27	56	46mm	7
	KARMA - Doppia Martellina KARMA - Double Handle	3100.10	27	56	Max 64	7
	KARMA - Martellina con cilindro KARMA - Handle with key	3101	27	56	26mm	7
	KARMA - Martellina con cilindro KARMA - Handle with key	3101.1	27	56	46mm	7
	KARMA - Martellina per anta ribalta manovra logica, apertura DX e SX KARMA - Handle for tilt before turn, right and left opening	3101.25	27	56	26mm	7

