



TOP SPIN

CERNIERA A PETTINE IN ALLUMINIO ESTRUSO



Cerniera a pettine in alluminio estruso | Comb hinge in extruded aluminium | Paumelle a peigne en aluminium extrudé | Bisagras de tres alas de aluminio extruido



Cerniera lato telaio e lato anta in alluminio estruso, piastrine in zama, boccole e tappini in nylon, viti, perno grano in acciaio inox.



Frame side and shutter side in extruded aluminium, zamak plates, nylon bushings and caps, stainless steel screws and pin.



Paumelle côté dormant et côté ouvrant en aluminium extrudé, plaques en zamak, bagues et bouchons en nylon, vis et pivot en acier inox.

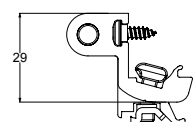
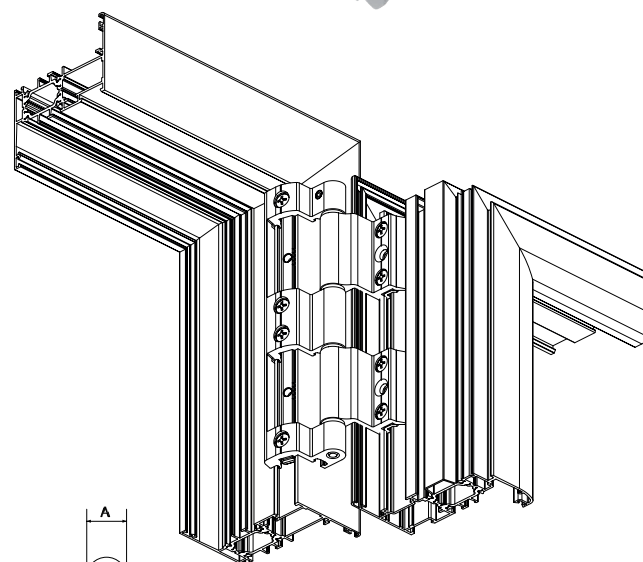
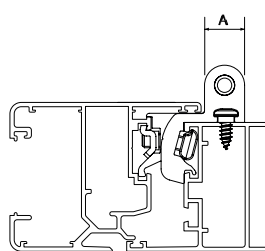
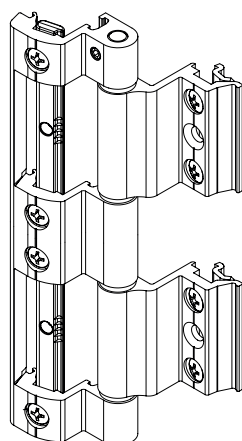
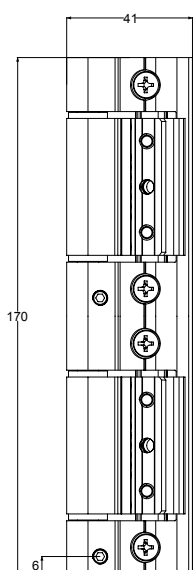


Bisagra del lado del marco y de la hoja de aluminio extruido, placas de zamak, casquillos y tapones de nylon, tornillos y perno de acero inox.



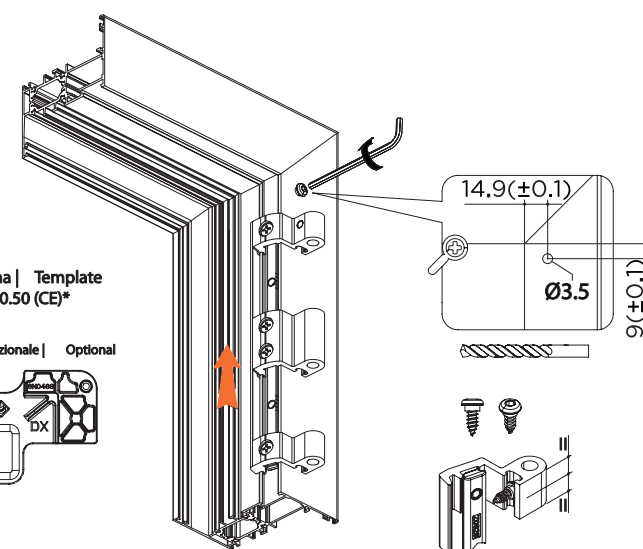
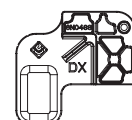
ART.	3420.73			
Imballo Package Conditionnement Embalaje	10 PZ			
Finiture disponibili Available finishes Finitions disponibles Acabados disponibles	1	2	3	4

Art. 3420.71 | 3420.72 | 3421.72



Dima | Template
3400.50 (CE)*

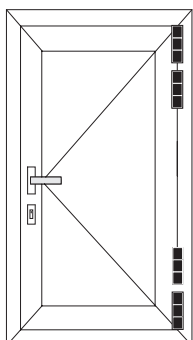
*Opzionale | Optional



DESCRIZIONE DESCRIPTION	ART	NODO SECTION	A
Cerniera a pettine in alluminio estruso Comb hinge in extruded aluminium	3420.73	A01 - A05	15



BATTENTE CASEMENT

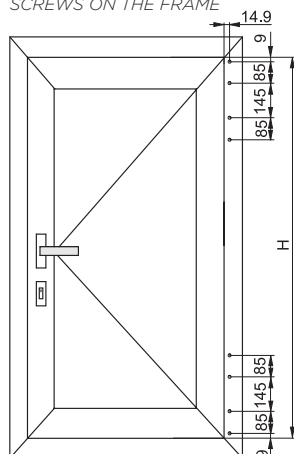
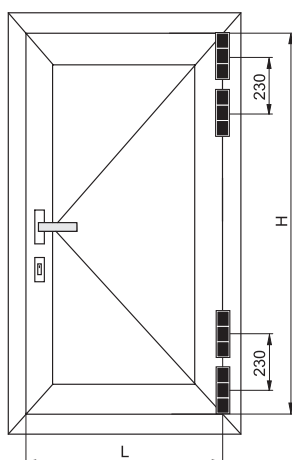



H

3500	100%	100%	100%	100%	100%	100%	100%	100%	100%	100%	100%	100%
3400	100%	100%	100%	100%	100%	100%	100%	100%	100%	100%	100%	100%
3300	100%	100%	100%	100%	100%	100%	100%	100%	100%	100%	100%	100%
3200	100%	100%	100%	100%	100%	100%	100%	100%	100%	100%	100%	100%
3100	100%	100%	100%	100%	100%	100%	100%	100%	100%	100%	100%	100%
3000	100%	100%	100%	100%	100%	100%	100%	100%	100%	100%	100%	100%
2900	100%	100%	100%	100%	100%	100%	100%	100%	100%	100%	100%	100%
2800	100%	100%	100%	100%	100%	100%	100%	100%	100%	100%	100%	95%
2700	100%	100%	100%	100%	100%	100%	100%	100%	100%	100%	99%	89%
2600	100%	100%	100%	100%	100%	100%	100%	100%	100%	100%	92%	83%
2500	100%	100%	100%	100%	100%	100%	100%	100%	100%	97%	86%	77%
2400	100%	100%	100%	100%	100%	100%	100%	100%	100%	90%	80%	71%
2300	100%	100%	100%	100%	100%	100%	100%	100%	94%	83%	74%	65%
2200	100%	100%	100%	100%	100%	100%	100%	99%	87%	77%	67%	59%
2100	100%	100%	100%	100%	100%	100%	100%	91%	80%	70%	61%	53%
2000	100%	100%	100%	100%	100%	100%	97%	84%	73%	63%	55%	47%
1900	100%	100%	100%	100%	100%	100%	88%	76%	66%	57%	49%	42%
1800	100%	100%	100%	100%	100%	93%	80%	68%	58%	50%	42%	N.D.
1700	100%	100%	100%	100%	100%	84%	72%	61%	51%	43%	N.D.	N.D.
1600	100%	100%	100%	100%	90%	75%	63%	53%	44%	N.D.	N.D.	N.D.
	600	700	800	900	1000	1100	1200	1300	1400	1500	1600	1700

L

INTERASSI DEI FORI PER VITI
SUPPLEMENTARI SUL TELAIO
INTERAXIS OF HOLES FOR ADDITIONAL
SCREWS ON THE FRAME



ART.		PORTATA LOAD CAPACITY
3420.73		100%=100kg
3420.73	+ 	100%= 200kg