



# EMPIRE

## MOVIMENTAZIONE BIDIREZIONALE FACCIATA



Movimentazione bidirezionale facciata | Bi-directional gearbox for curtain wall | Mouvement bi-directionnel pour façade | Mecanismo bidireccional para muro cortina



Cassa, Copricassa, cremagliere, pioli, viti, camme e dadi quadri in Acciaio inox. Guide e scatti in POM; rotore in zama;



Case, cover case, racks, pins, screws, cams and square nuts in stainless steel. Guides and snaps in POM; Rotor in Zamak;



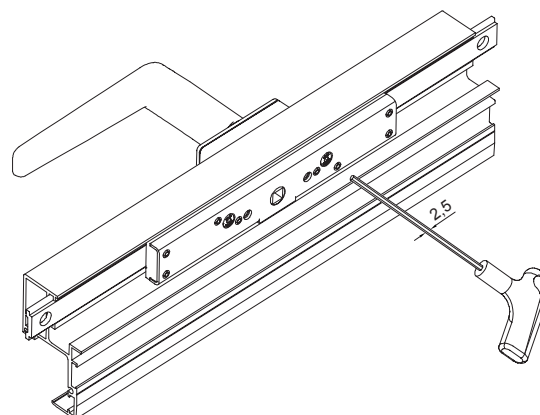
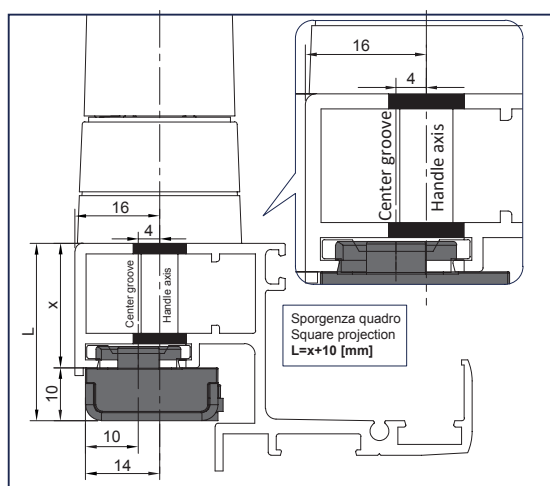
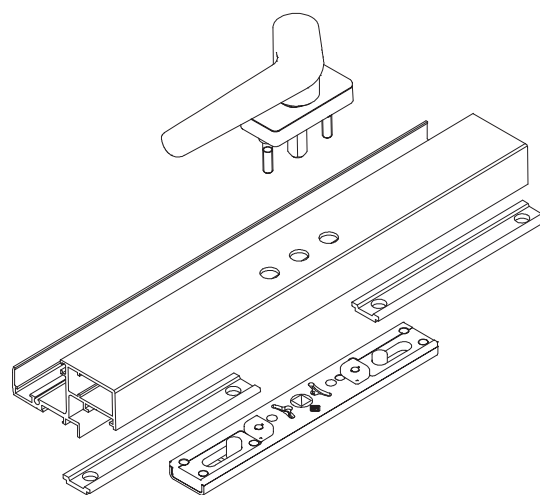
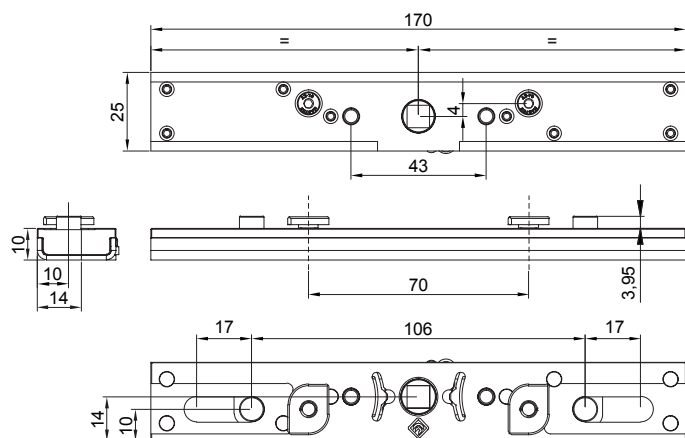
Caisse, couvre caisse, crémaillères, vis, cammes et écrous carrés en acier inox. Guides et tomas en POM; Rotor en zamak



Caja; cobertura de la caja, cursores, pernios, tornillos, levas y tuercas cuadradas de acero inoxidable. Guides et clichés de POM; rotor de zamac



ART.	3633			
Imballo   Package   Conditionnement   Embalaje	20 Pz			
Finiture disponibili   Available finishes Finitions disponibles   Acabados disponibles	1	2	3	4

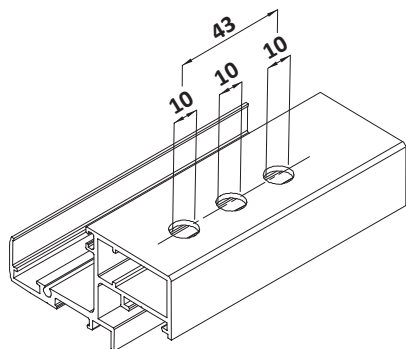
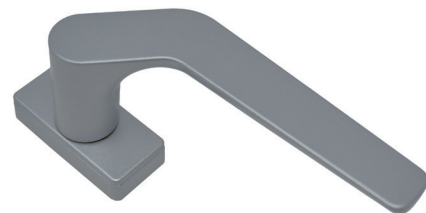




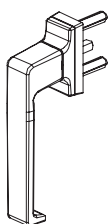
# EMPIRE

## MARTELLINE

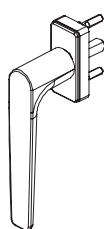
Martelline | Handles | Martelet | Manetas



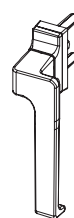
3072.X



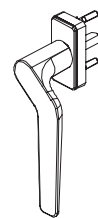
3100.X



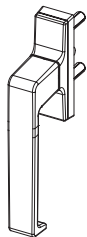
3077.XS  
3077.XD



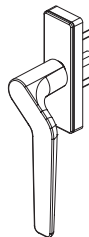
3102.XS  
3102.XD



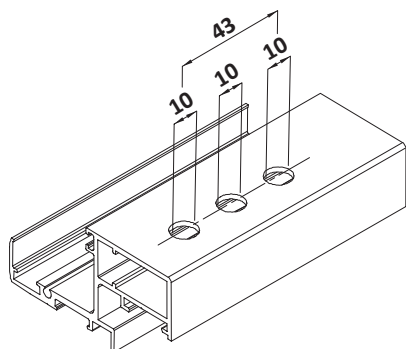
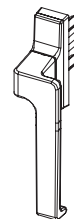
3073.X



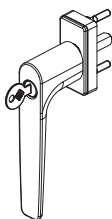
3104.X



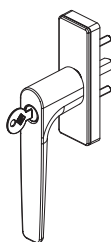
3078.XS  
3078.XD



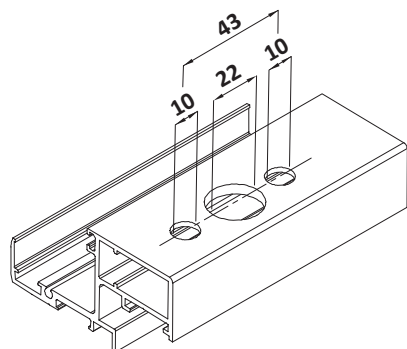
3101.X



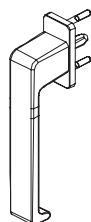
3105.X



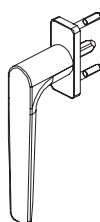
E' possibile abbinare anche  
 le martelline KARMA con chiave  
 It's possible to combine also  
 with KARMA handle with key



3090.3X



3091.3X



3091.3XS  
3091.3XD

