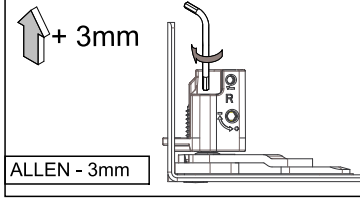
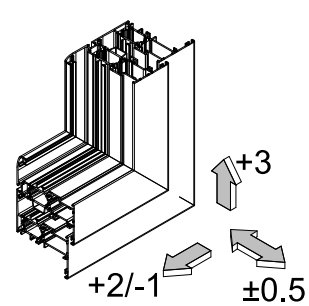
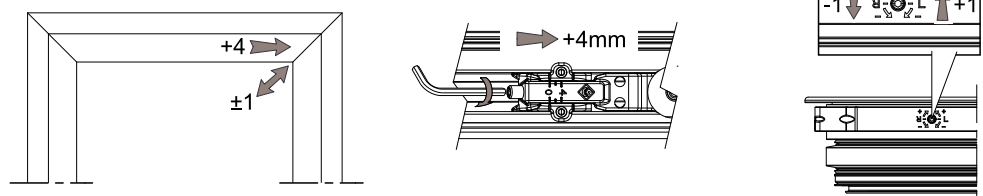
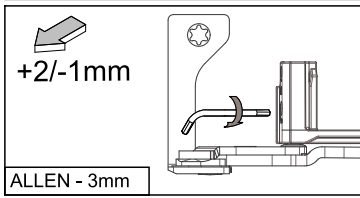


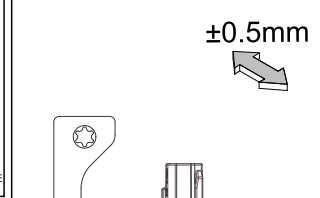
**REGOLAZIONE
ADJUSTMENT**



ALLEN - 3mm



ALLEN - 3mm



ALLEN - 2.5mm

120Kg - 110°

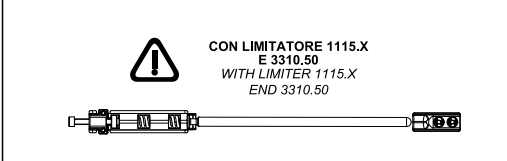
2700	44	36	30	25	22	20	18	16	15	14	13	12	11	10
2600	46	37	31	26	23	21	18	17	15	14	13	12	11	10
2500	48	38	32	27	24	21	19	17	16	15	14	13	12	11
2400	50	40	33	29	25	22	20	18	17	15	14	13	12	11
2300	50	42	35	30	26	23	21	19	17	16	15	14	13	12
2200	50	44	36	31	27	24	22	20	18	17	16	15	14	13
2100	50	46	38	33	29	25	23	21	19	18	16	15	14	12
2000	50	48	40	34	30	27	24	22	20	18	17	16	15	13
1900	50	50	42	36	32	28	25	23	21	19	18	17	14	13
1800	50	50	44	38	33	30	27	24	22	21	19	16	15	14
1700	50	50	47	40	35	31	28	26	24	22	18	17	16	15
1600	50	50	50	43	38	33	30	27	25	21	19	18	17	13
1500	50	50	50	46	40	36	32	29	27	22	21	19	15	11
1400	50	50	50	49	43	38	34	31	26	24	22	17	13	9
1300	50	50	50	50	46	41	37	30	28	26	20	15	14	9
1200	50	50	50	50	50	44	36	33	30	18	17	16	10	5
1100	50	50	50	50	50	44	39	36	22	20	19	12	6	X
1000	50	50	50	50	50	48	43	26	24	22	14	7	X	X
900	50	50	50	50	50	50	50	32	29	18	8	X	X	X
800	50	50	50	50	50	40	36	22	11	X	X	X	X	X
700	50	50	50	50	50	46	14	X	X	X	X	X	X	X
600	50	50	50	50	40	19	X	X	X	X	X	X	X	X
550	50	50	50	50	X	X	X	X	X	X	X	X	X	X

150Kg - 90°

2700	50	44	37	32	28	25	22	20	19	17	16	15	14	13
2600	50	46	38	33	29	26	23	21	19	18	16	15	14	14
2500	50	48	40	34	30	27	24	22	20	18	17	16	15	14
2400	50	50	42	36	31	28	25	23	21	19	18	17	16	15
2300	50	50	43	37	33	29	26	24	22	20	19	17	16	15
2200	50	50	45	39	34	30	27	25	23	21	19	18	17	16
2100	50	50	48	41	36	32	29	26	24	22	20	19	18	15
2000	50	50	50	43	38	33	30	27	25	23	21	20	19	16
1900	50	50	50	45	39	35	32	29	26	24	23	21	18	17
1800	50	50	50	48	42	37	33	30	28	26	24	20	19	18
1700	50	50	50	50	44	39	35	32	29	27	23	21	20	19
1600	50	50	50	50	47	42	38	34	31	26	24	23	21	17
1500	50	50	50	50	50	44	40	36	33	28	26	24	19	14
1400	50	50	50	50	50	48	43	39	32	30	28	21	16	15
1300	50	50	50	50	50	46	38	35	32	25	18	17	11	6
1200	50	50	50	50	50	50	45	41	38	23	21	20	13	6
1100	50	50	50	50	50	49	45	27	25	23	15	6	X	X
1000	50	50	50	50	50	50	33	30	28	17	7	X	X	X
900	50	50	50	50	50	50	40	36	22	10	X	X	X	X
800	50	50	50	50	50	45	27	11	X	X	X	X	X	X
700	50	50	50	50	50	17	X	X	X	X	X	X	X	X
600	50	50	50	50	50	19	X	X	X	X	X	X	X	X
550	50	50	50	50	X	X	X	X	X	X	X	X	X	X

H min.	Braccio/Arm	Braccio/Arm
650mm	3312.20S/D	3311.20S/D
1050mm	3312.21S/D	3311.21S/D

Indicazioni di taglio Anta
Sash machining indication H - 1mm



Kit anta ribalta a scomparsa | Per sistemi Camera Europea
Hidden kit for tilt and turn | For Euro Groove system

ITA

ENG

LAVORAZIONI / MACHINING

**LAVORAZIONI ASTINE
RODS MACHINING**

**Maniglie
Handles**

6018	6038 6038.20D/S	6015 - 6015.3 6011 - 6011.10	6036 - 6032.10 - 6036.3 6030 6036.20D/S 6032.10 6036.23D/S	6061	6063 6063.20
3072	3077.2 3077.25D/S	3070	3070.2 3075.25D/S	3100	3101 3101.25

MASTER S.r.l. - I617E - A3 FR - 22/07/2022

Posizionamento punti chiusura | Positioning locking points | Positionnement points de fermeture | Posicionamiento puntos de cierre

ANTA RIBALTA | **TILT AND TURN**

T&T

3320F.1

Ribalta
Tilt

Apertura
Open

Chiusura
Locking

MANOVRA LOGICA | **TILT BEFORE TURN**

TBT

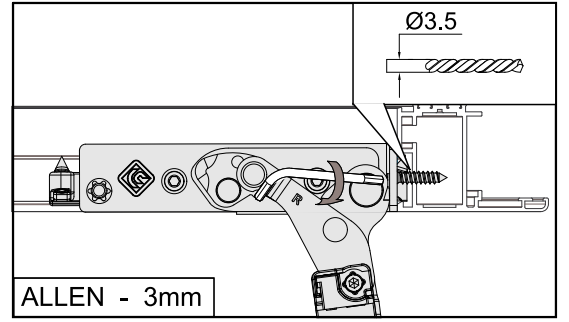
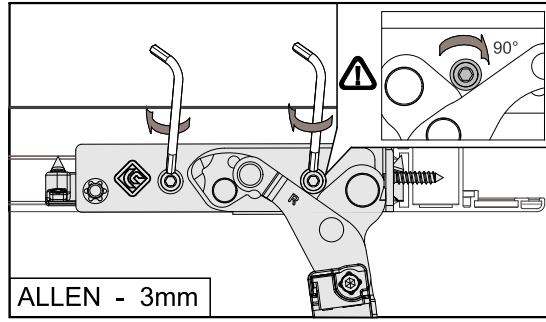
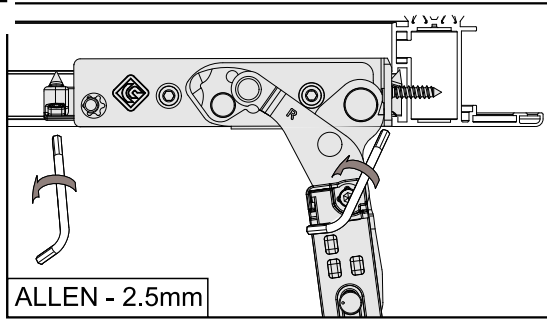
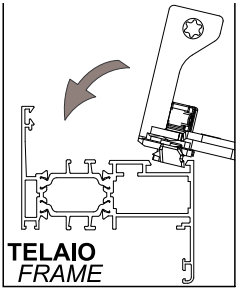
3320LF.1

Apertura
Open

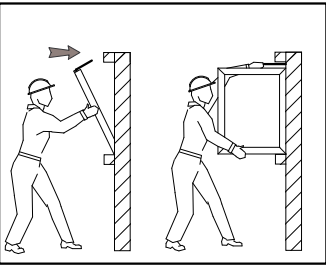
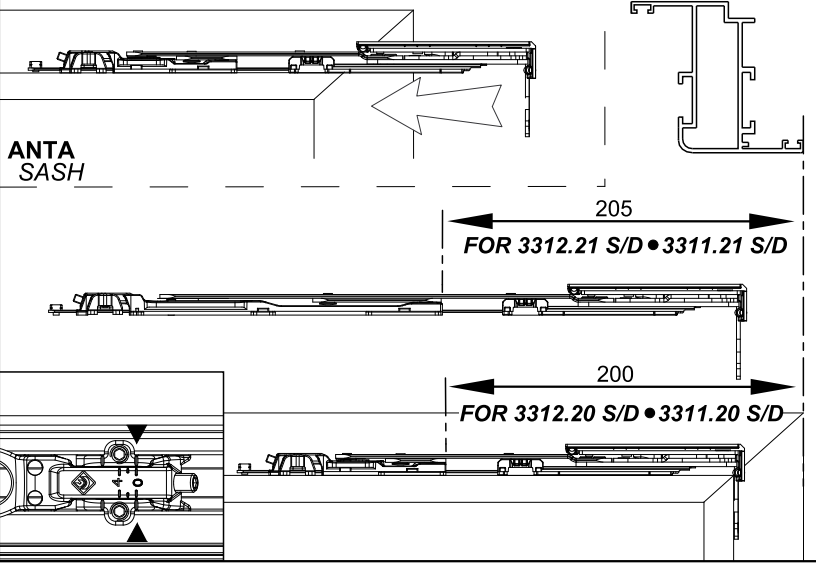
Ribalta
Tilt

Chiusura
Locking

**MONTAGGIO CERNIERA INFERIORE
BOTTOM HINGE ASSEMBLY**



**MONTAGGIO CERNIERA SUPERIORE
TOP HINGE ASSEMBLY**



*** Da abbinare a microventilazione**
In combination with microventilation

3400.39 3311xx
3520.39 3312xx

255

TBT
3550L.30 + 3312L.21 S/D
3400LG.30 + 3311L.21 S/D

T&T
3520.30 + 3312.21 S/D
3400G.30 + 3311.21 S/D

L-945

L-673

1201 mm < L ≤ 1700 mm

L - 523

* T&T 3312.21 S/D • 3311.21 S/D

TBT 3312L.21 S/D • 3311L.21 S/D

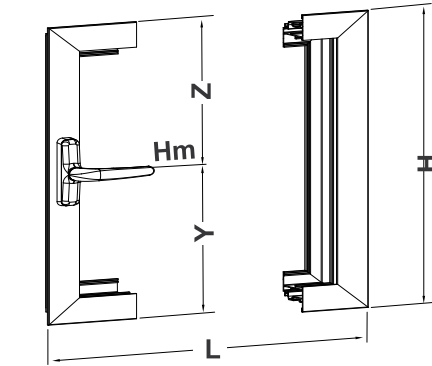
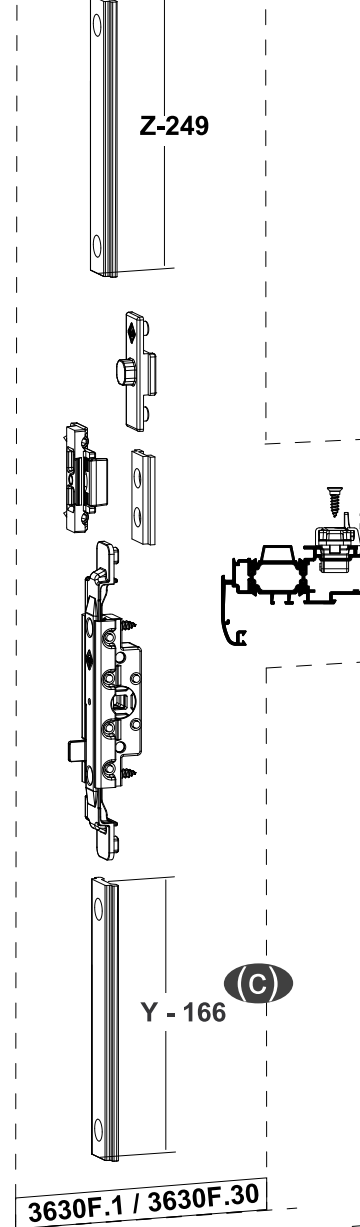
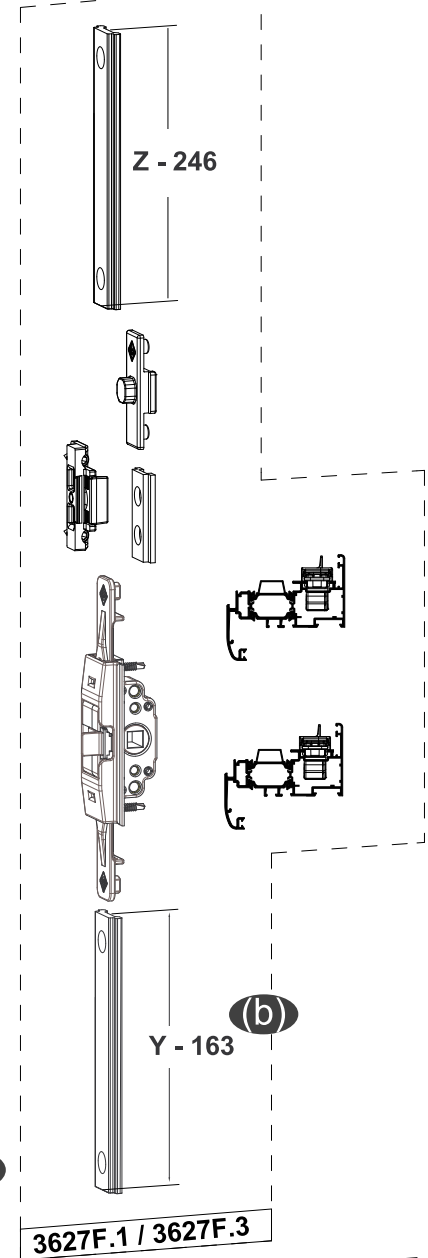
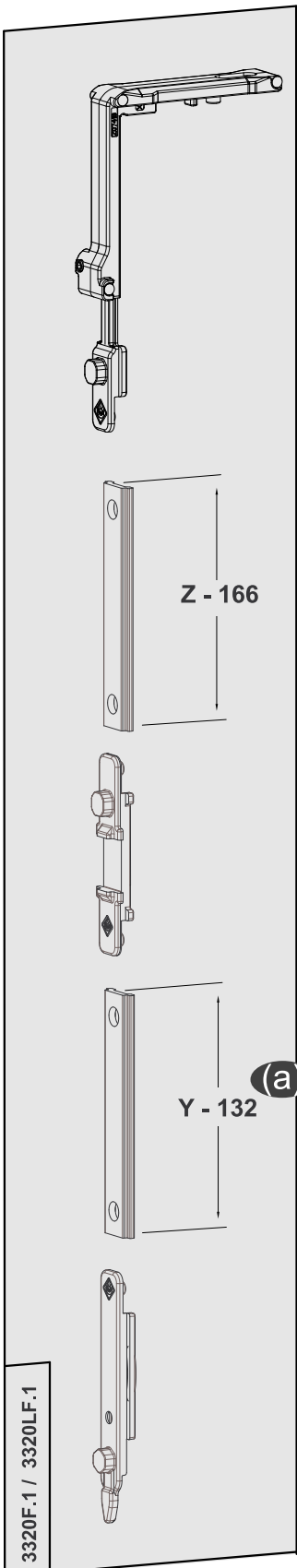
561 mm < L ≤ 1200 mm

L - 393

* T&T 3312.20 S/D • 3311.20 S/D

TBT 3312L.20 S/D • 3311L.20 S/D

430 mm < L ≤ 560 mm



LOGICA
DOPPIA ANTA
DOUBLE SASH
TBT

(a)	Y - 140
(b)	Y - 171
(c)	Y - 174

