



# NIX

## MANIGLIA A SCOMPARSA



Maniglia a scomparsa | Concealed handle | Poignée invisible | Manilla oculta



Realizzata in zama; perni e grani in acciaio inox; perno di collegamento in acciaio zincato; astina in alluminio estruso. Versione per scorrevole e libro.



Made of zamak; pins and setscrews in stainless steel; connecting pins in galvanized steel; rod in extruded aluminium. Version for sliding and folding.



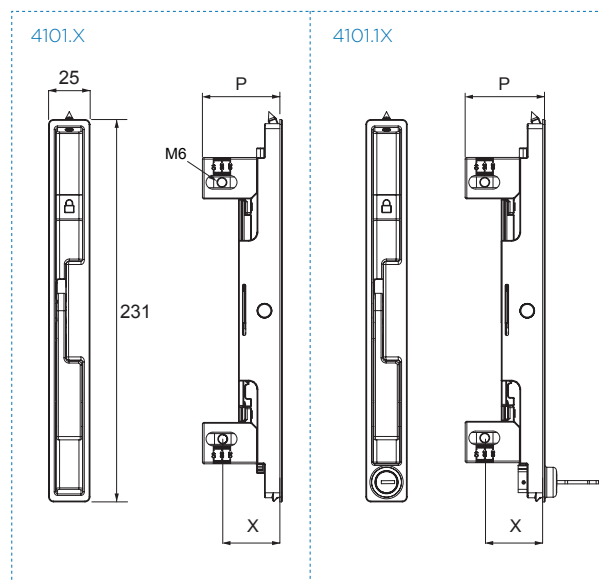
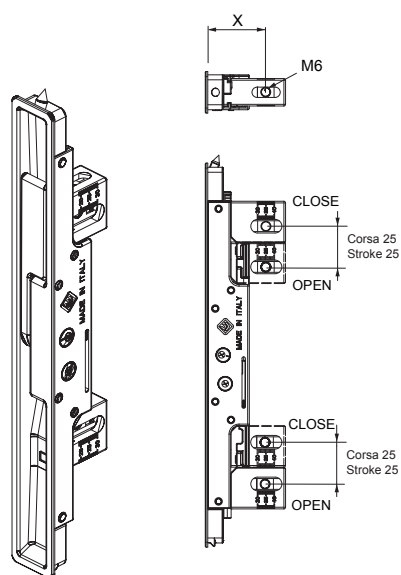
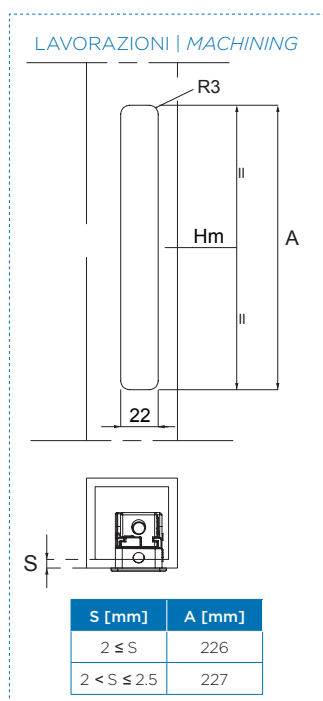
Fabriqué en zamak; goupilles et vis sans tête en acier inoxydable; axe de connexion en acier galvanisé; tige en aluminium extrudé. Version pour coulissantes et accordéon.



Fabricado en zamak; pasadores y tornillos prisioneros de acero inoxidable; pasador de conexión en acero galvanizado; varilla de aluminio extruido. Version para correderas y plegables.



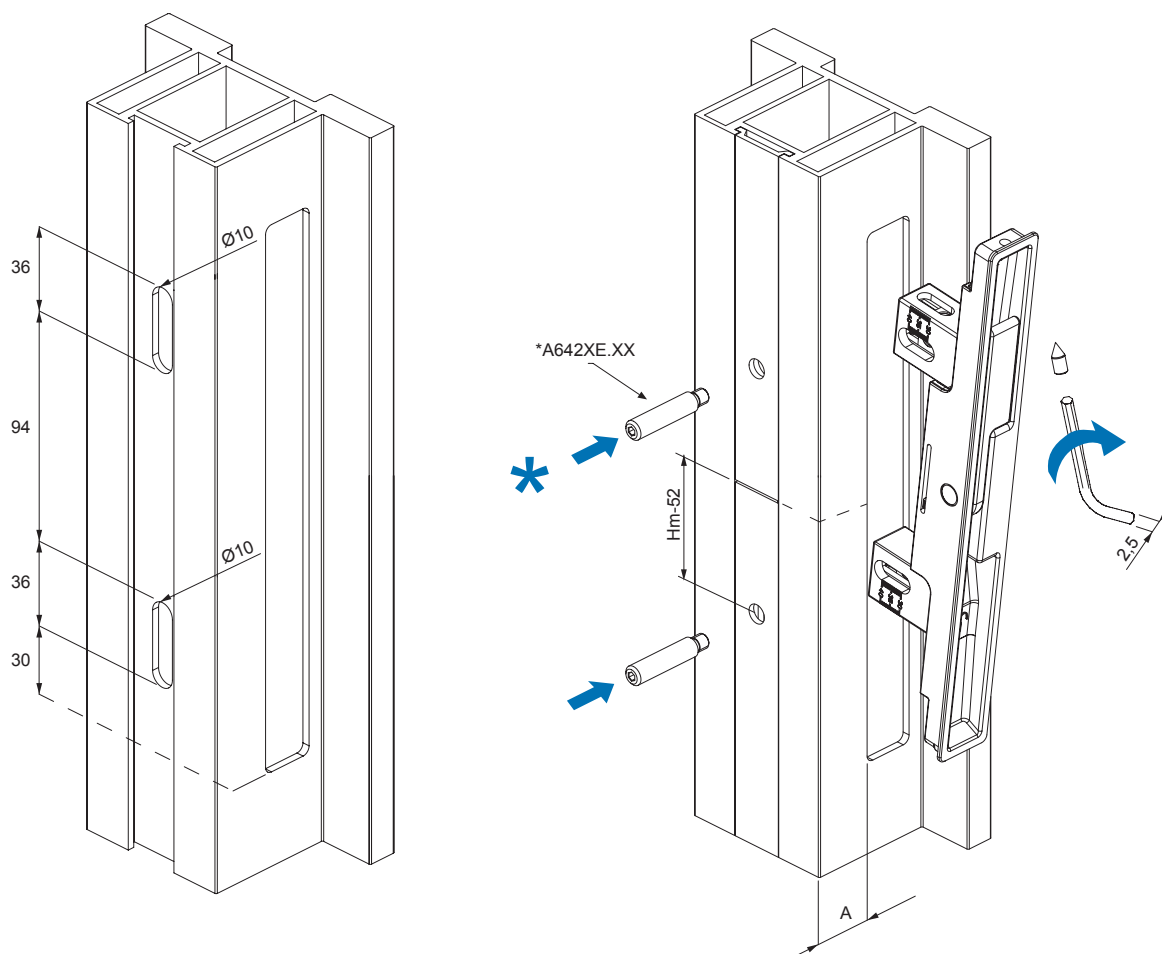
ART.	4101   4101.1   4101.2 4101.10   4101.11 4101.12
Imballo   Package   Conditionnement   Embalaje	5 Pz
Finiture disponibili   Available finishes Finitions disponibles   Acabados disponibles	1 2 3 4



DESCRIZIONE DESCRIPTION	ART.	ENTRATA Entry	P	X
NIX Maniglia a scomparsa NIX Concealed handle	4101	18mm	25	18 ≤ X < 18.5
NIX Maniglia a scomparsa NIX Concealed handle	4101.1	19-29mm	37	18,5 ≤ X < 30
NIX Maniglia a scomparsa NIX Concealed handle	4101.2	30-40mm	47	30 ≤ X < 40
NIX Maniglia a scomparsa con chiave NIX Concealed handle with key	4101.10	18mm	25	18 ≤ X < 18.5
NIX Maniglia a scomparsa con chiave NIX Concealed handle with key	4101.11	19-29mm	37	18,5 ≤ X < 30
NIX Maniglia a scomparsa con chiave NIX Concealed handle with key	4101.12	30-40mm	47	30 ≤ X < 40



FUNZIONAMENTO CON AGGANCIO LATERALE  
OPERATION WITH LATERAL FIX

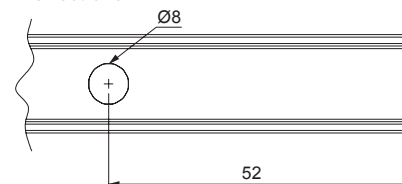


\* Per uso monodirezionale, utilizzare solo perno inferiore con astina singola  
For monodirectional setting, use only lower pin with single rod

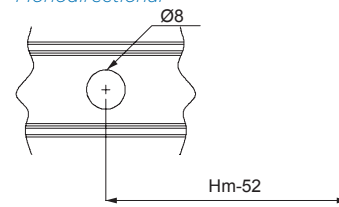
A [mm]	Cod.	MATERIALE MATERIAL
$3 < \mathbf{A}$	6420E.11	Acciaio zincato Galvanized Steel
$3 \leq \mathbf{A} < 5$	6420E.13	Acciaio zincato Galvanized Steel
$5 \leq \mathbf{A} < 8$	6420E.16	Acciaio zincato Galvanized Steel
$8 \leq \mathbf{A} < 10$	6420E.18	Acciaio zincato Galvanized Steel
$10 \leq \mathbf{A} < 14$	6420E.22	Acciaio zincato Galvanized Steel
$14 \leq \mathbf{A} < 17$	6420E.25	Acciaio zincato Galvanized Steel
$17 \leq \mathbf{A} < 19$	6420E.27	Acciaio zincato Galvanized Steel
$19 \leq \mathbf{A} < 23$	6420E.31	Acciaio zincato Galvanized Steel
$10 \leq \mathbf{A} < 13$	6421E.21	Acciaio Inox Stainless Steel
$16 \leq \mathbf{A} < 19$	6421E.27	Acciaio Inox Stainless Steel

FORATURA ASTINE  
MACHINING OF THE RODS

Bidirezionale  
Bidirectional

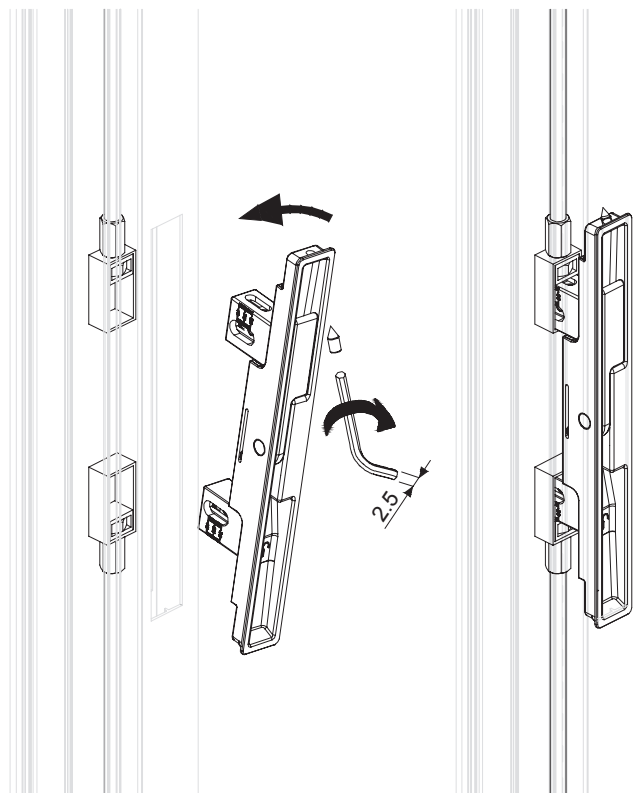
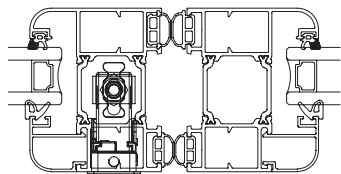
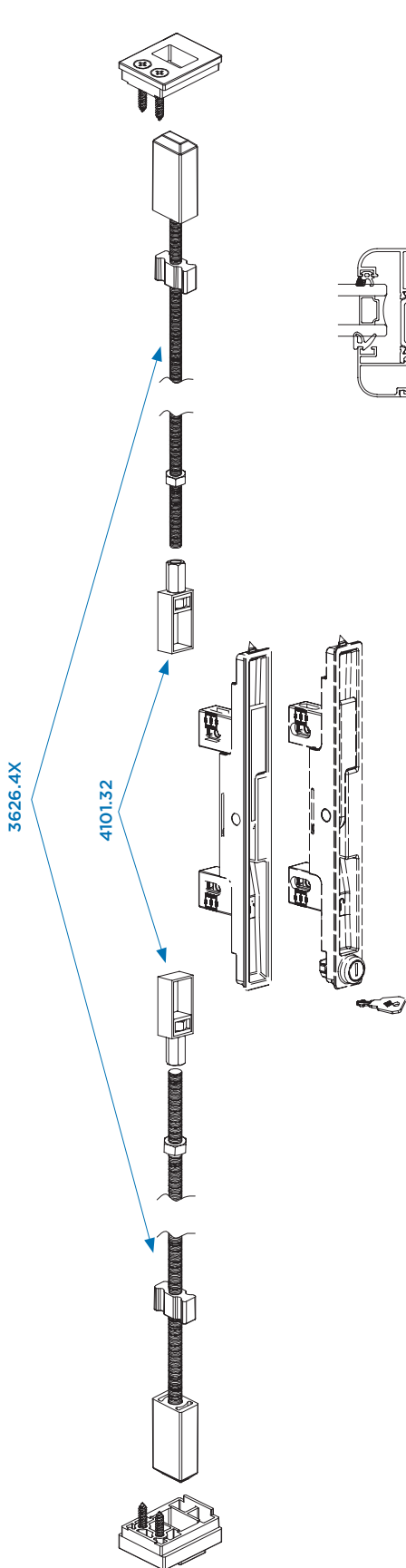



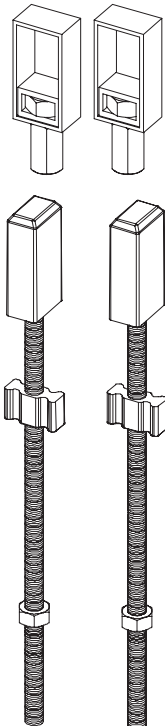
Monodirezionale  
Monodirectional





FUNZIONAMENTO CON ASTE VERTICALI INTERNE  
OPERATION WITH INTERNAL VERTICAL RODS



COD. MANIGLIA HANDLE CODE	4101.1 / 4101.2	4101.11 / 4101.12 
<p>KIT ASTE FILETTATE M8 In abbinamento con kit chiusura Topflex (Interasse &gt; 30mm)</p> <p>M8 THREADED RODS KIT paired with Topflex closing kit (centre distance &gt; 30mm)</p>		<p>4101.32</p> <p>+</p> <p>3626.42 .43 .44 .46</p> 