



NIX

MANIGLIA A SCOMPARSA PER ANTA RIBALTA



Maniglia a scomparsa per anta ribalta | Concealed handle for tilt and turn | Poignée invisible pour oscillo-battantes | Manilla oculta para oscilobatientes



Realizzata in zama; perni e grani in acciaio inox; perno di collegamento in acciaio zincato; astina in alluminio estruso. Per anta ribalta.



Made of zamak; pins and setscrews in stainless steel; connecting pins in galvanized steel; rod in extruded aluminium. For tilt and turn



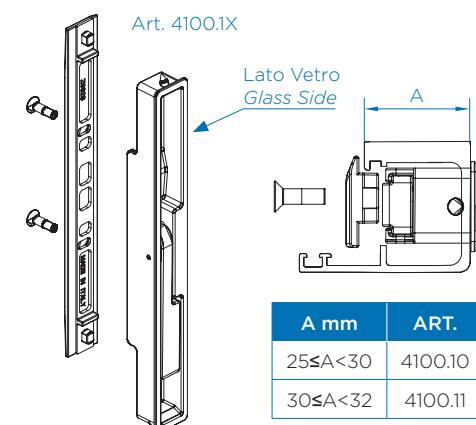
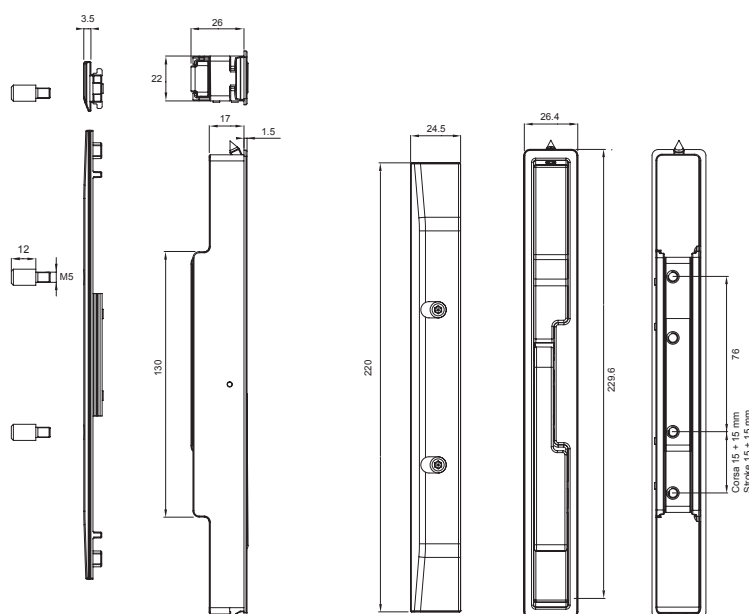
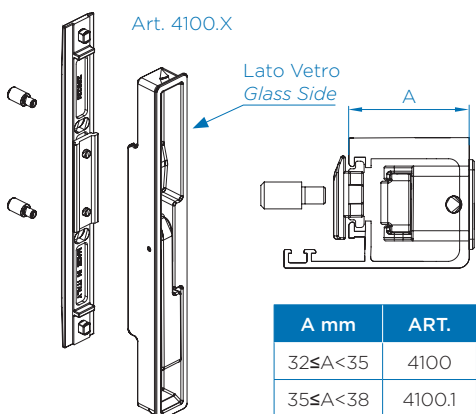
Fabriqu  en zamak; goupilles et vis sans t te en acier inoxydable; axe de connexion en acier galvanis ; tige en aluminium extrud . Pour oscillo-battantes



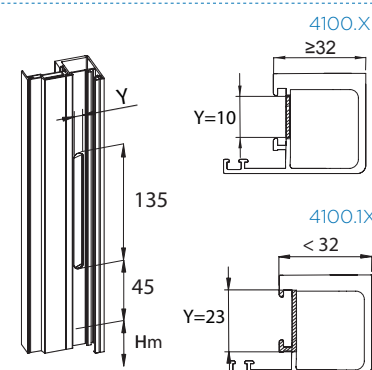
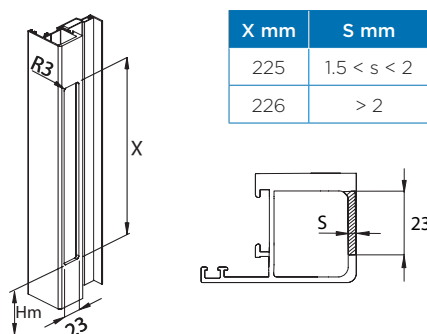
Fabricado en zamac; pasadores y tornillos prisioneros de acero inoxidable; pasador de conexi n en acero galvanizado; varilla de aluminio extruido. Para oscilobatientes.



ART.	4100 4100.1 4100.10 4100.12
Imballo Package Conditionnement Embalaje	6 Pz
Finiture disponibili Available finishes Finitions disponibles Acabados disponibles	1 2 3 4



LAVORAZIONI | MACHINING



DESCRIZIONE DESCRIPTION	ART.	A
NIX Maniglia a scomparsa per anta ribalta, con perni di collegamento piastra ad infilare NIX Concealed handle for tilt and turn with connection pins and insert plates	4100	32 ≤ A < 35
NIX Maniglia a scomparsa per anta ribalta, con perni di collegamento piastra ad infilare NIX Concealed handle for tilt and turn with connection pins and insert plates	4100.1	35 ≤ A < 38
NIX Maniglia a scomparsa per anta ribalta con viti NIX Concealed handle for tilt and turn with screws	4100.10	25 ≤ A < 30
NIX Maniglia a scomparsa per anta ribalta con viti NIX Concealed handle for tilt and turn with screws	4100.11	30 ≤ A < 32